



SICO-SST

CATALOGUE
2016-2017



www.sico-sst.com



Beijing SST Hospitality Equipment Manufacture Co., Ltd. was founded in 1997. In 2004, SST successfully signed a joint venture agreement with SICO America and together with their engineers has setup a High-Tec manufacturing plant in Beijing, which is located in Area B, Tianzhu Airport Industrial Zone, Shunyi District;



“BEIJING SICO-SST HOSPITALITY EQUIPMENT MANUFACTURING CO., LTD”

With our cutting-edge production & manufacturing assembly lines, combined with advanced technology & International management; OUR MISSION is continuously providing you with high-quality, innovative products and excellent service globally.

From our extensive range of F&B Event Management Solutions, mobile and folding Banquet Products, Education Tables and House Keeping Carts, we offer a host of amazing designs that have the same ingenuity and quality that so many of our customers have come to expect from SICO-SST.

We have our own in-house designing department as well as a strong professional R&D center, which allows us to create new ideas which suit all your needs and requirements. SICO is an expert in space using and efficient setups, whereas SST is the inventor of the Mobile Buffet Concept.

Our company has gained many certifications, such as; National Production Safety, ISO9001, ISO14000, and is also WCM (World Class Manufacturing) certified. We got awards for great export achievements from the Government and Industrial zone.

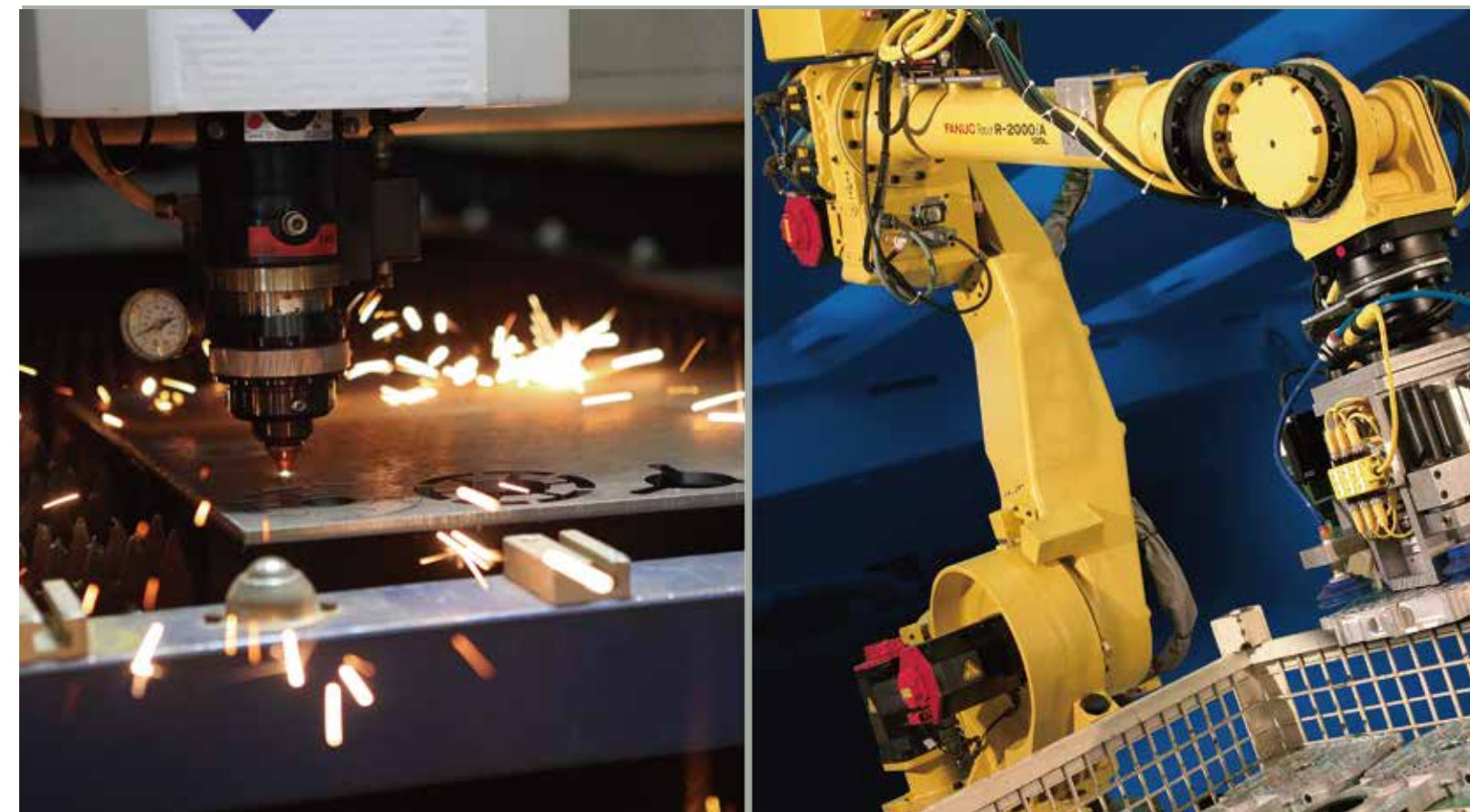
**We are here to serve you worldwide with a high quality, value for money product.
It is our permanent intention to provide satisfactory products and exceptional services to you.**

We at **SICO-SST** are committed providing high quality and professional products, which will help our customers to save time and money – **space usage & efficiency at its best.**

Our Mobile Buffet Concept and high-tech products not only are attractive show pieces, but will give your customer a sense of pride

The SICO-SST Banquet Solutions are great assets for your operations and make it easy for your staff to serve your guests.

It is our goal to manufacture “**A Value for Money Product**”, at International quality standards and provide great after sales service, ensuring you get what you looking for.



Mobile Buffet Concept



FROM THE DRAWING BOARD TO FINISH

At SICO-SST we not only design and develop our products, but we also manufacture them in-house. This gives us 100% control of quality standards and functioning.

INNOVATION

WITH YOUR OPERATIONAL NEEDS IN MIND...

Our designers are backed by a well experienced engineer team locally as well as International. Whenever developing a product they not only consider the look but also the safety for your staff and the operational functioning to help you serving your guests better.

OUR DESIGN & ENGINEERING TEAM “We are here to work with and for you”

Mary
Senior Engineer



Blake
Designer



Shi He
Chief Senior Engineer



Willy Eberwein
Project GM – F&B Specialist

CONTENTS

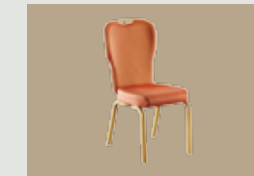


BUFFET STATIONS & TABLES



Buffet Stations	1
Buffet Display Stands	69
Mobile F&B Display	73
Buffet & Cocktail Tables	78
Socializer Table	87
Coffee Break Cabinets	89

Staging & Steps	94
Harmony Choral Risers	99
Portable Dance Floor	100
Tables (Conference & BQT)	101
Folding Tables with Stools	113
Banquet Chairs	115
Partitions	126
Podiums	129



CONFERENCE & BANQUET SOLUTIONS

F&B Event Management Solutions

SICO-SST Innovative products cover all your needs so that you can provide an exciting dining experience to your guests. With the extensive choice from our Buffet Concept, we can offer you a solution from A-Z.

F&B DELIVERY



In-Room Dining	135
Food Warmer	137
F&B Trolleys	139
Service Bar	144
Cooking Trolley	145
Plate Warmer	148
GN-Food Pan Rack Trolleys	149
Service Tray Stands	151

Luggage Carts	153
Housekeeping Carts	161
Beverage Refill Carts	163
Mobile Sleepers	165
Linen Trolleys	167



SERVICING THE HOUSEKEEPING & TRANSPORTATION IN THE LOBBY

INFO

Index





Amadeus 2000

- ▶ **A classic design with a modern touch;**
the combination of fiber compounded upper and lower part, and a steel sheet middle section with vinyl finish, make it not only light weighted but also durable and easy to maintain.
- ▶ **Ideal for Indoor & Outdoor use.**
- ▶ **Removable Front and Back Panels;**
Acrylic panels set into a durable aluminum frame, remote controlled LED lighting.
- ▶ **Designer Panel Options;**
With our high-tech laser printer we can add your favorite design to the panels.
- ▶ **Vast choice of colours** – they come in high quality spary paint finish, are water resistant and long lasting.

"AMADEUS 2000" – Rectangular Main Station

Body Colour Options (Just to show a few)



Ivory Grey Burgundy Black

Panel Options



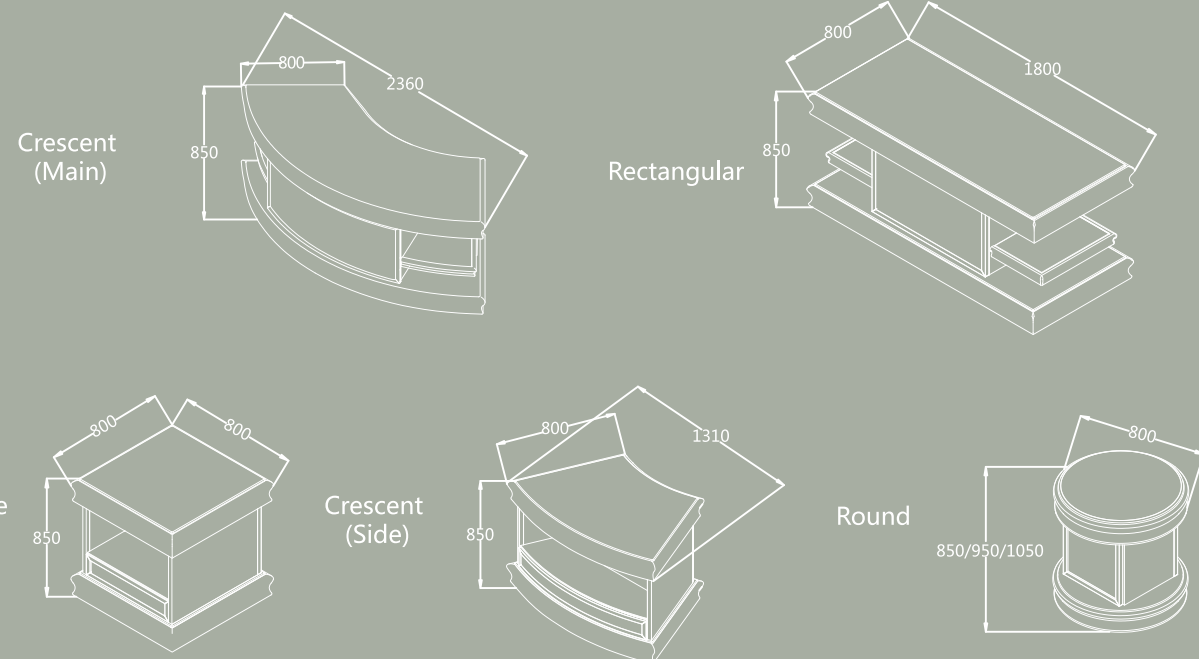
- Print on Acrylic with Onyx Pattern
- Carved Pattern



Western Carving

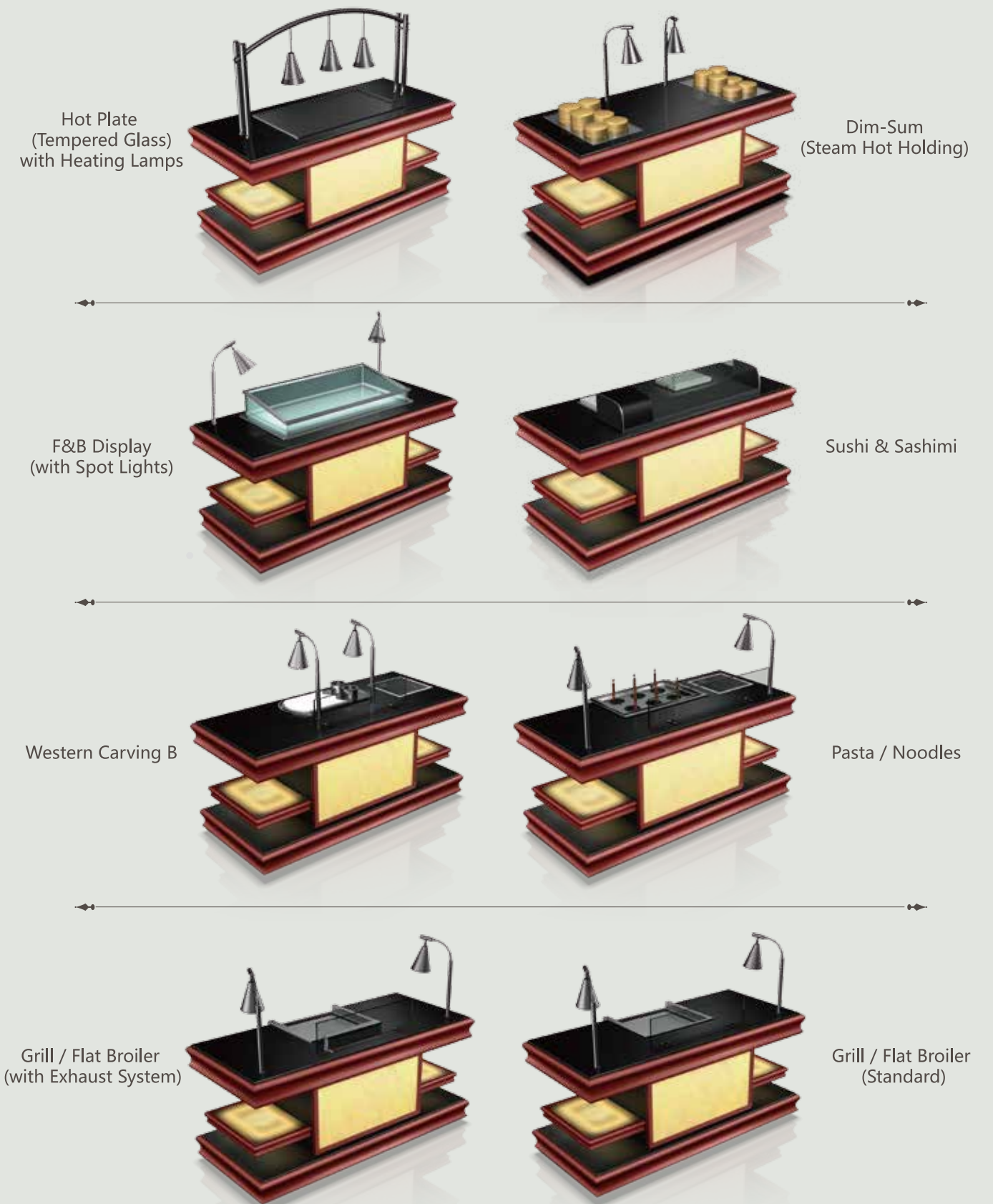
MOBILE & VERSATILE

The unique light & durable materials make it easy to move this stations in and out of action in no time. This design comes in various shapes and sizes, which gives you a great tool, setting up small and large buffets different ways and styles.



TOP CONFIGURATIONS

Our F&B Specialist has come up with various standard top configurations to suit all your needs, from hot holding, F&B displays and action stations.

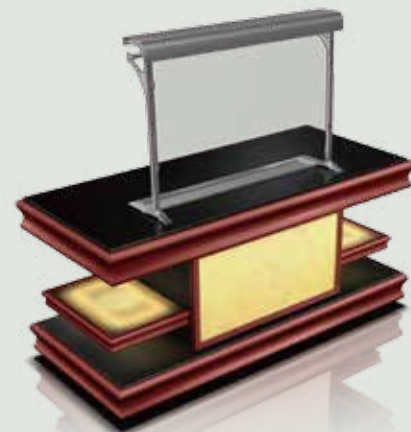


"AMADEUS 2000" – Rectangular Main Stations

Ice Cream Station
(No Plate Space)



Boiling / Multi-purpose
(No Plate Space)

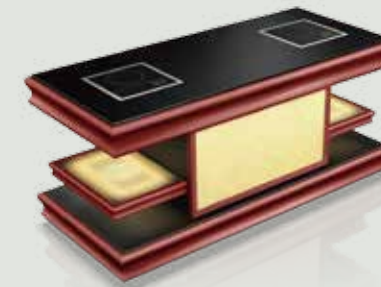


BJ Duck & Chinese BBQ

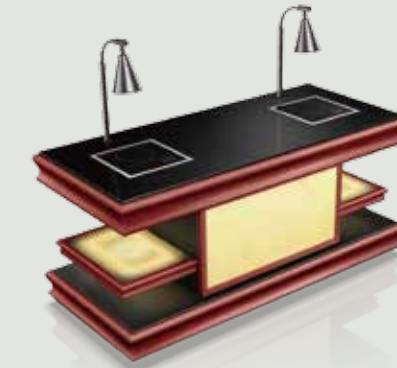
HOT HOLDING

We offer many different ways of presenting your hot dishes from the kitchen; Induction, electric hot plates, steam hot holding or simply dry heat from the top.

Hot Holding C2



Hot Holding A2
(with Heating Lamps)



Hot Holding A3
(with Heating Lamps)



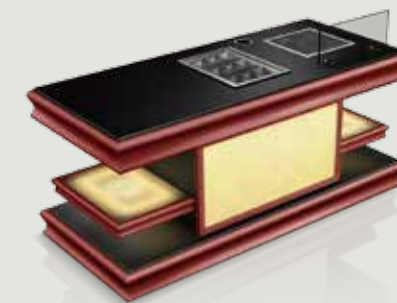
Hot Holding C3



Hot Holding B2
(with Heating Lamps)



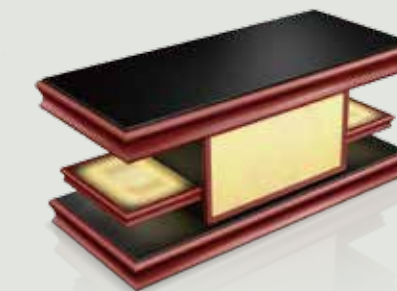
Induction Cooking B1



Induction Cooking B2



Multi-Purpose



BRING THE ACTION FROM THE KITCHEN TO YOUR GUESTS...

Choose from our vast range of buffet stations; live cooking in your function room.

"AMADEUS 2000" – Side Stations



Induction Cooking



Ambient / Plain

Plate Warmer

F&B Display
(Ice Well)

USEFUL ADD-ONS

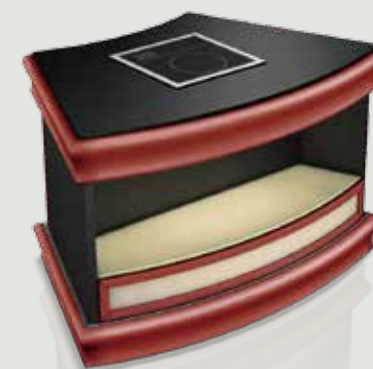
Using them individually or as an addition to the main stations, the side stations are a "SURE MUST HAVE" for any function setup. They come handy for small functions and give additional display / working space in combination with the main stations.

ENDLESS OPTIONS

The various shapes and heights give you the opportunity to be creative in your food line presentations; your setups never look the same.



Ambient / Plain



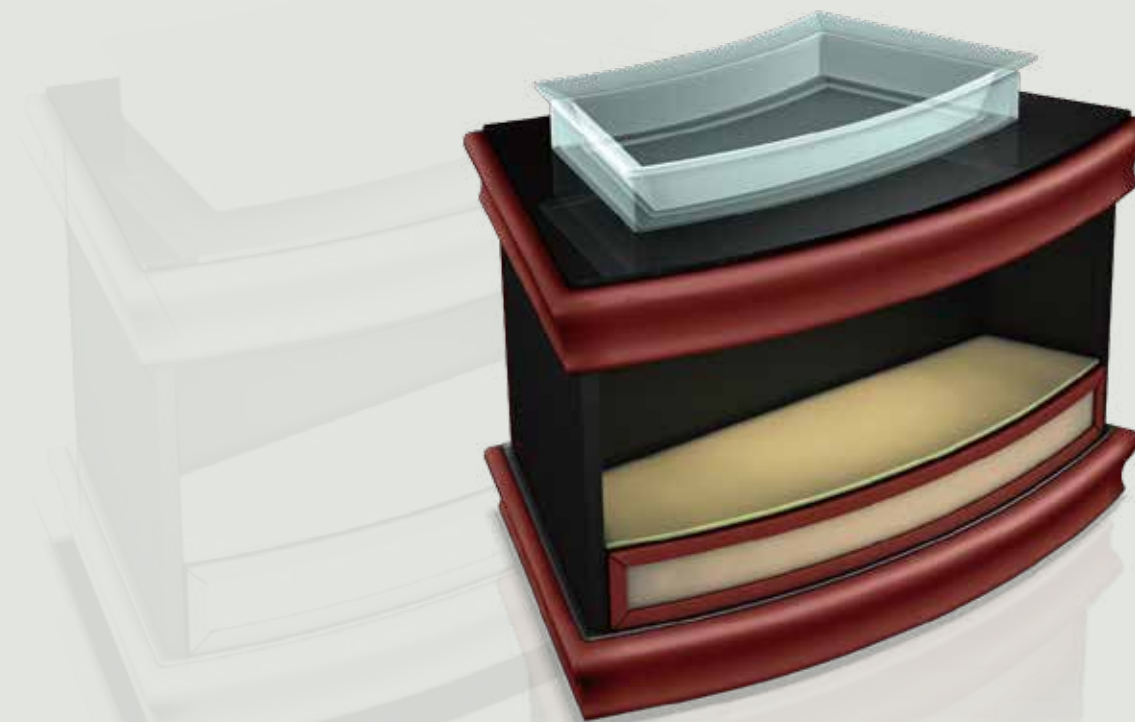
Hot Holding



Ambient / Plain

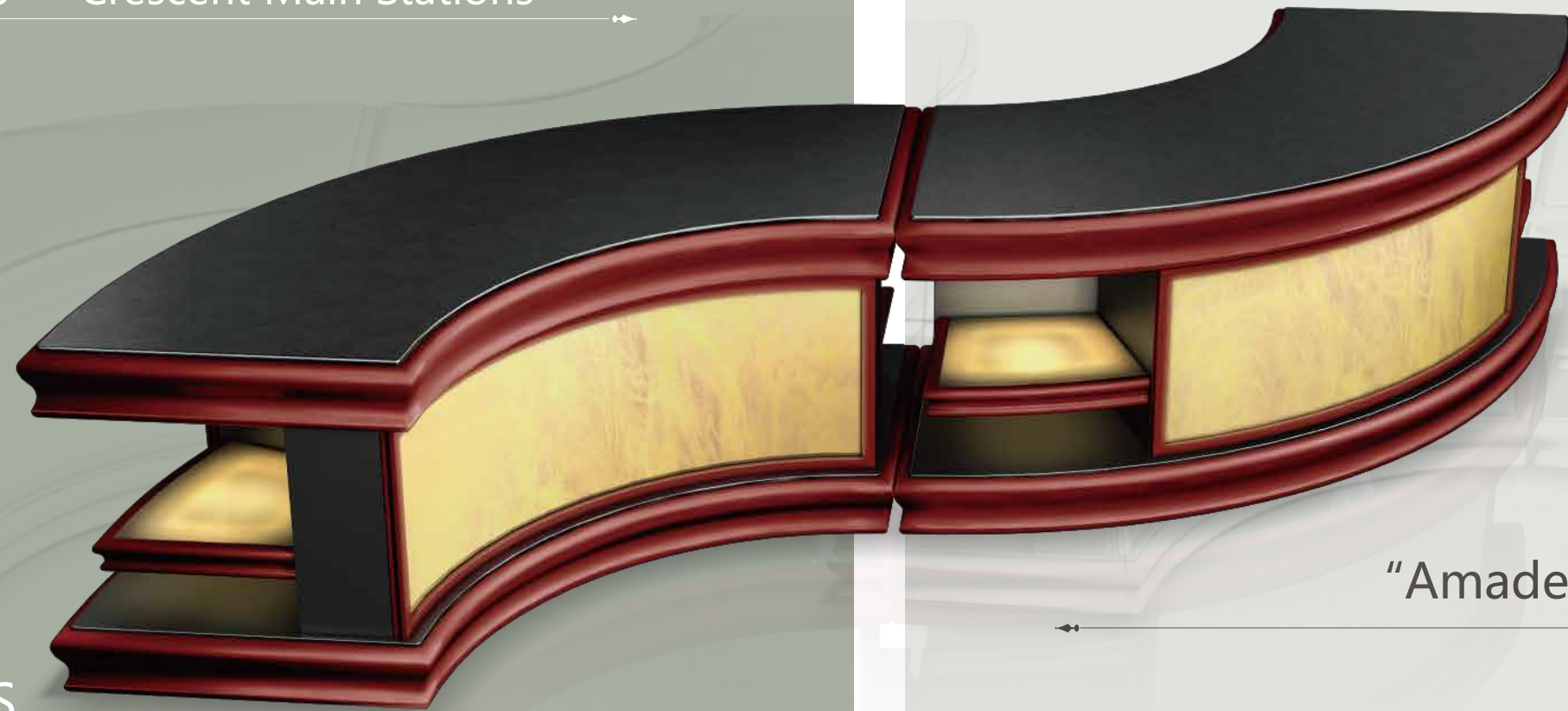
MULTI-PURPOSE COLD STATIONS

Serve it chilled on ice, to keep the cold food at the right temperature; Our F&B Display stations can become your Salad or Seafood Bar, Oyster & Sashimi, Fruit & Dessert or Champagne / Wine Displays.



F&B Display
(Ice Well)

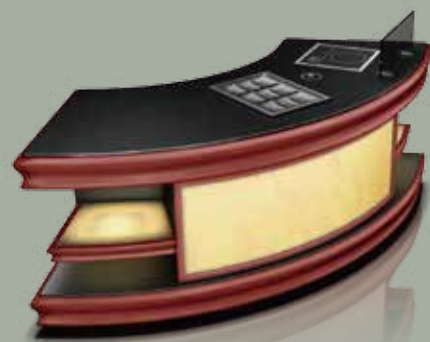
"AMADEUS 2000" – Crescent Main Stations



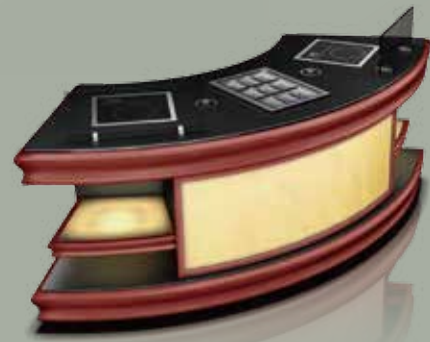
"Amadeus 2000" – Wave Setup

UNIQUE SETUPS

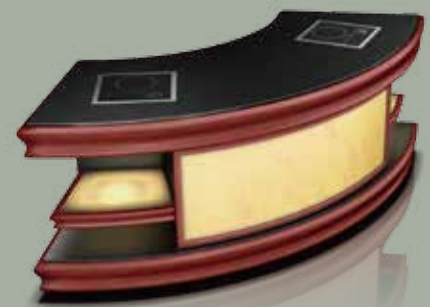
Both sided acrylic panels with LED lighting and the crescent shape, give you multiple shape setup possibilities, such as half round, circle, wave etc., this station design looks good against the wall as well as an island line.



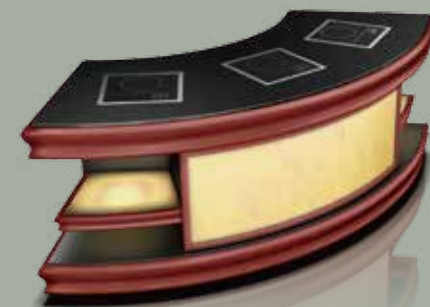
Induction Cooking B1



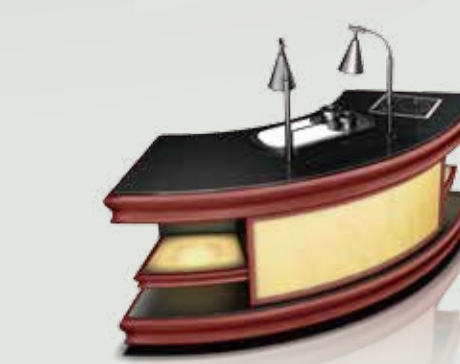
Induction Cooking B2



Hot Holding C2



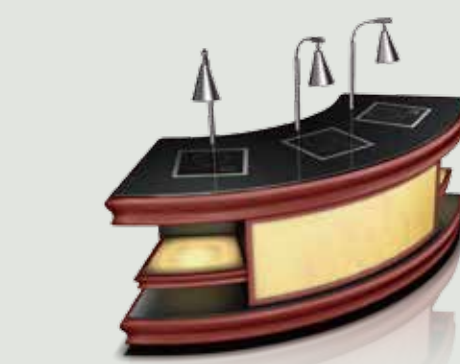
Hot Holding C3



Western Carving B



Western Carving A



Hot Holding A3
(with Heating Lamps)



Hot Holding B2
(with Heating Lamps)



Crystal

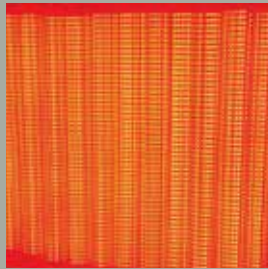
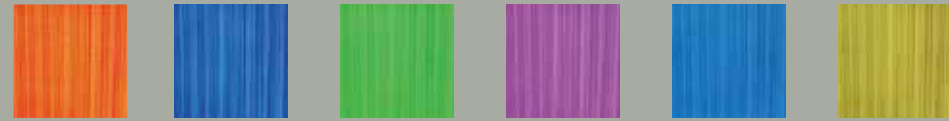
- A real Jewel; The irregular shapes and unique materials chosen, make this station a real runner. Giving a spark of glimmer to lighten up any buffet setups.
- You are in control of the mood of your event by choosing the right LED colour setting; our newly developed station lets you choose not only the colour but also if or not you want it glittering or smooth.
- Combine the irregular and regular shapes, creating a new look / shape of your food presentations.

CRYSTAL – Irregular

LED Colours

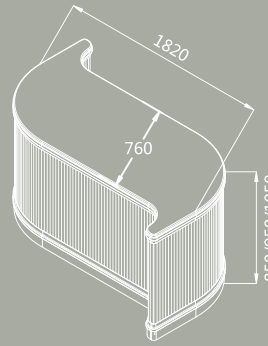
*** By simply pressing a button, you can change the mood of the lighting, from mellow to sparkling

Multi LED Colours

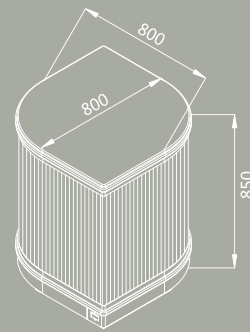


SPARK UP YOUR EVENTS

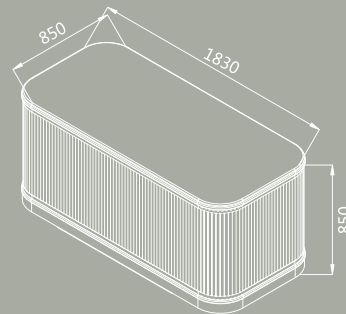
The light effects and the irregular shape with different height, allows you to have stunning buffet setups in no time.



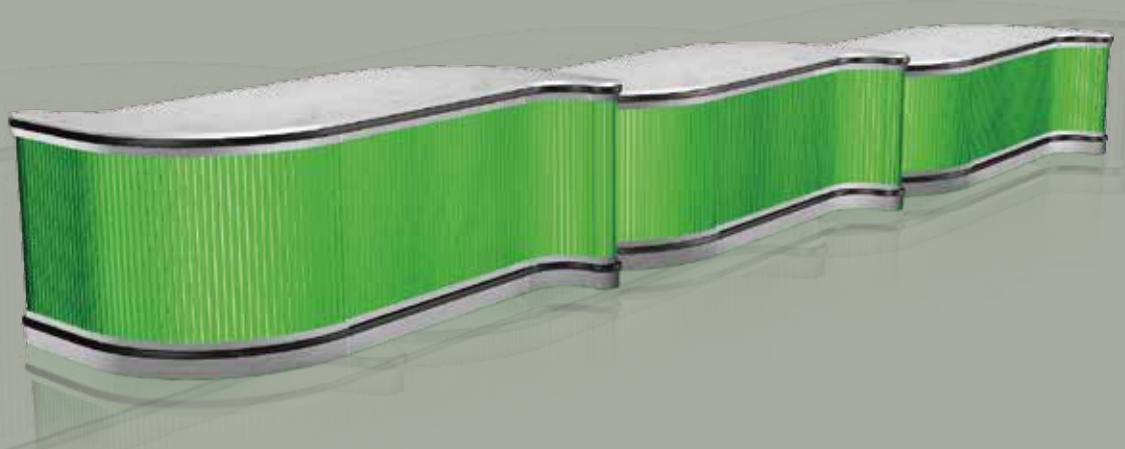
S-Shaped



Eye-Shaped



Rectangular

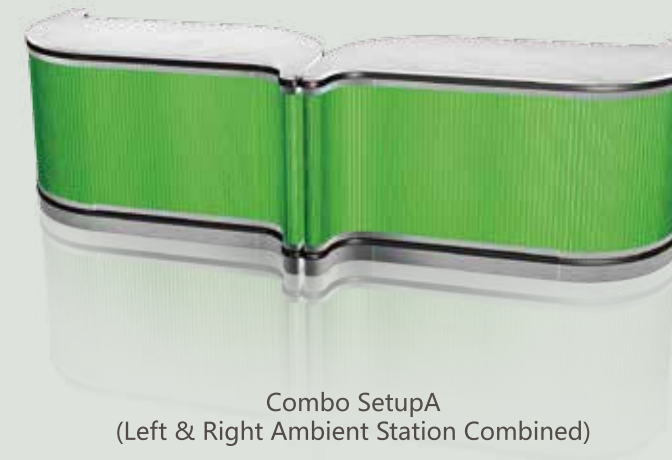


Ambient / Plain
(Island buffet station setup in three different heights)

QUALITY MATERIALS MAKE THE LOOK...

Our designer came up with a great fusion of materials; marble top, brushed stainless steel decoration rims, black armor edge (for protection) and high quality acrylic sticks give this design its distinctive look.

Ambient / Plain Station



Combo SetupA
(Left & Right Ambient Station Combined)

ENDLESS COMBINATIONS

Your setups will never look the same; there are endless setup possibilities with this two shapes, as both of them can be used in an island setup as well as against the wall.

The eye shaped side stations are a great addition to any Cocktail or Coffee Break setup.



Hot Holding



Plate Warmer



Ambient / Plain Station



F&B Display
(Round Ice Well)

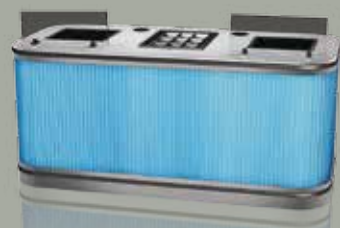
CRYSTAL – Regular

Western Carving



NOT JUST RECTANGULAR...

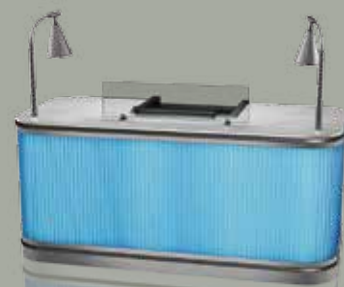
The rounded corners of this oblong station design give it a NEW stylish look and at the same time make it easy to match with the irregular shapes, making great combined food presentations.



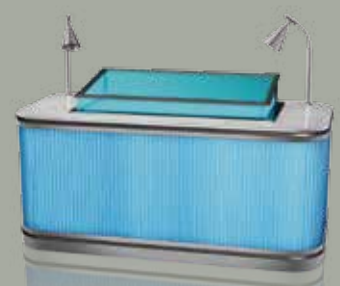
Induction Cooking B2



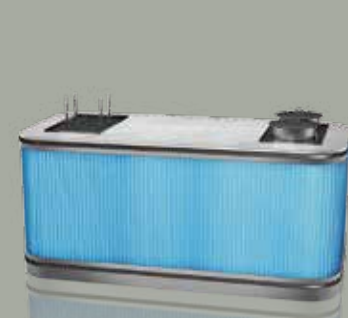
Hot Holding A3
(with Heating Lamps)



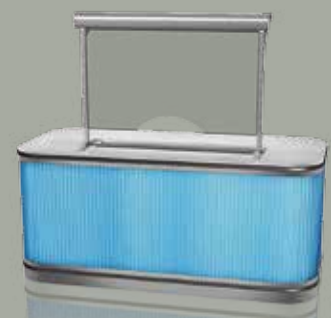
Grill / Flat Broiler
(with Exhaust System)



F&B Display
(with Spot Lights)



Boiling – Multi-Purpose



BJ Duck & Chinese BBQ

LITTLE DETAILS MAKE THE DIFFERENCE

Besides the great look, our designers also thought about your storage needs; that is why our rectangular designs come with separated power management and cabinet space at the back.



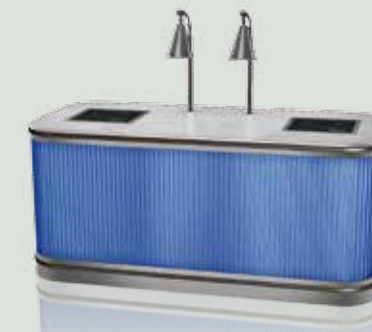
Hot Holding C3



Ambient / Plain
(Multi-Purpose)



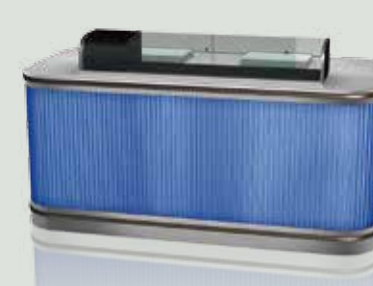
Hot Plate (Glass)
(with Heating Lamps)



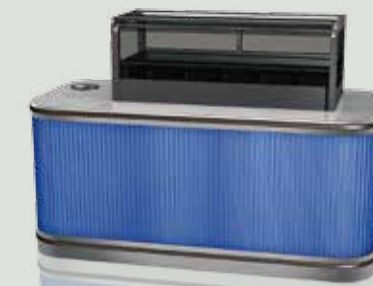
Hot Holding B2



Pasta / Noodle



Sushi & Sashimi



Ice Cream



Dim-Sum
(with Boiling Units)



Light Star II

- ▶ Modern Simplicity; Three sides of Acrylic Panels with LED Lighting are the main feature for this design; the Aluminum Frame (Individual panels) enhance the look and colours.
- ▶ This Design comes in many combinations, such as custom made wood or acrylic panel patterns, print-on designs, laminated or synthetic leather boards and so on...
- ▶ The easy removable panels give you the option of having different sets for various events, to give themed looks to your functions.

LIGHT STAR II



SST's improved Exhaust System

- Essential to have for all cooking stations.
- Ready when you need it; neatly set in the top when not in use, and at a simple turn of a switch the exhaust comes up and is clearing the smoke.



GEOMETRIC SHAPES

Simply and neat; giving the buffet line a clean / sharp presentation.

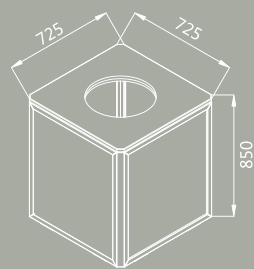
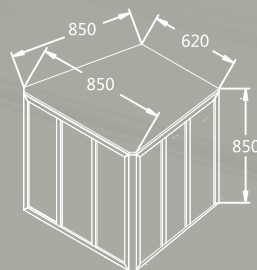
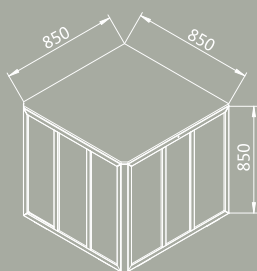


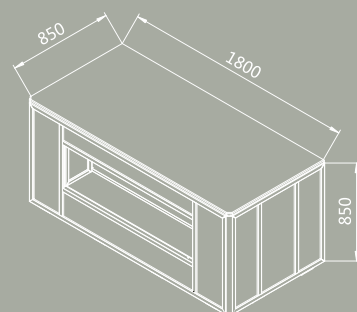
Plate Warmer



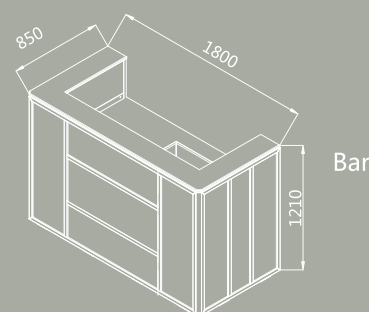
Trapezium



Square



Rectangular



Bar

Light Star II – LED

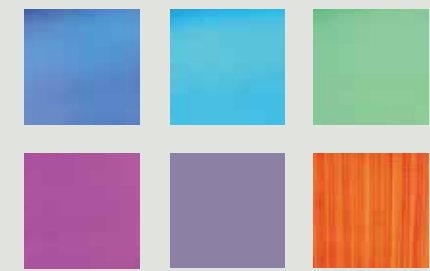


Plain / Ambient
(with Sneeze Guard)



Removable Panels
(Your station design can be changed without tools)

LED Light Colours



LED AT ITS BEST

No matter if you go with our standard acrylic panels or choose your own pattern print-on design, the built in LED light system enhances the look and sets the mood for the event; let them flash or simply set a mellow colour matching your function's setup.



Western Carving B



Western Carving A



Boiling – Multi-Purpose



Ice Cream



Hot Holding B2
(with Heating Lamps)



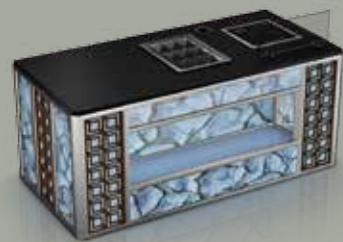
BJ Duck & Chinese BBQ

A SIMPLE DESIGN WITH MANY OPTIONS

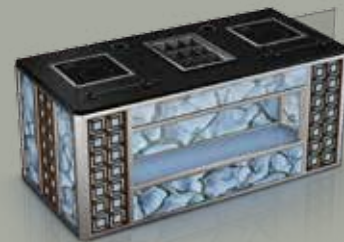
Let us work together with you and your Interior Designer, so that we can give the station "YOUR SIGNATURE TOUCH", we can custom design the panels by adding print-on, carved panels or simply the laminate colour and pattern to match your Hotel's interior.



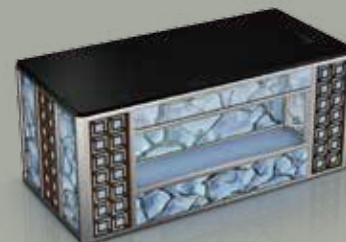
Station Setups with Designer Panels



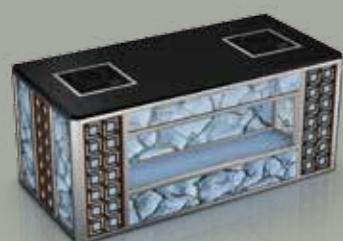
Induction Cooking B1



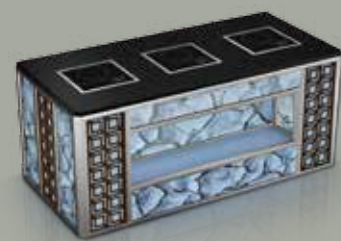
Induction Cooking B2



Multi-Purpose



Hot Holding C2

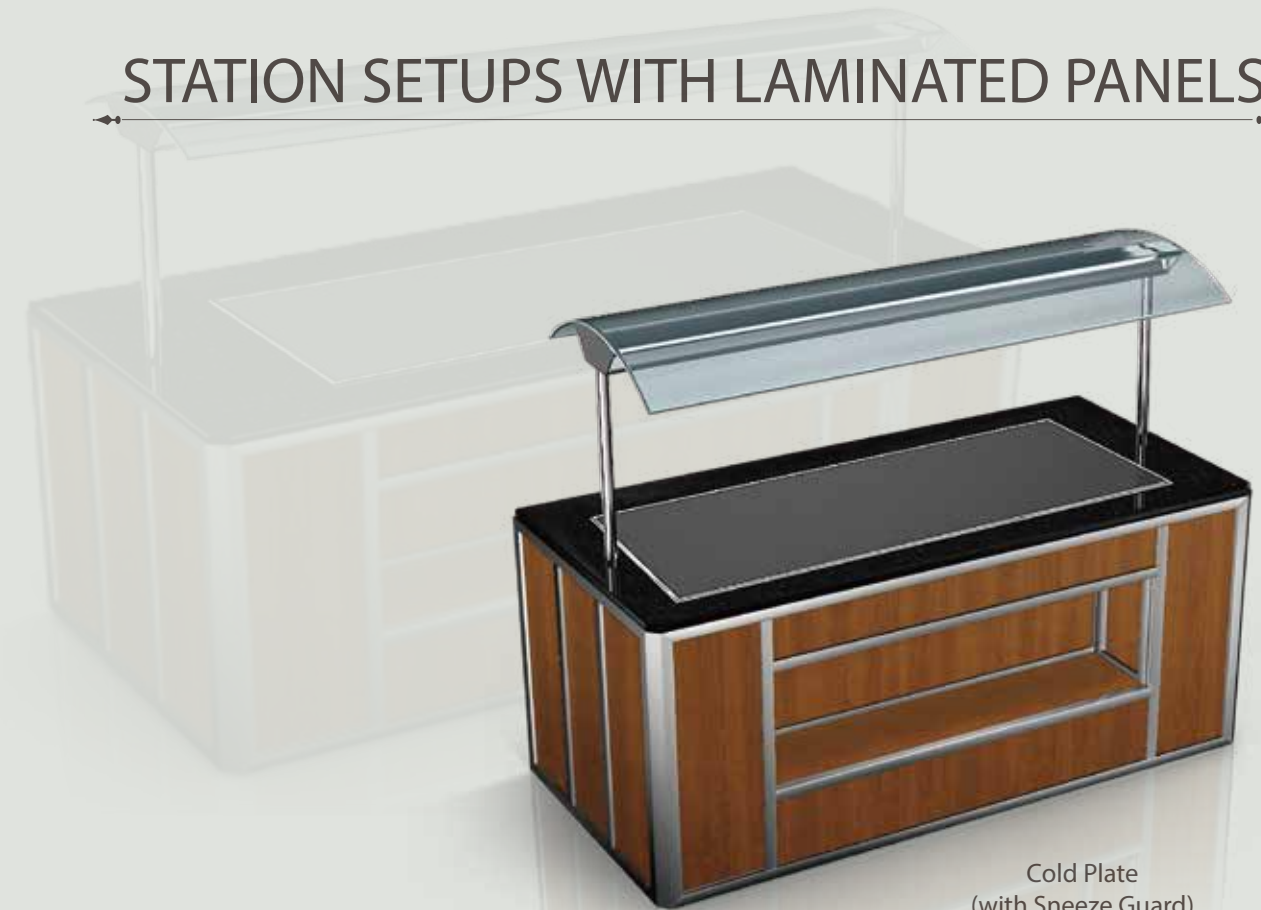


Hot Holding C3



Western Carving A

STATION SETUPS WITH LAMINATED PANELS



Cold Plate
(with Sneeze Guard)



Hot Holding A3
(with Heating Lamps)



Dim-Sum
(Steam Hot Holding)



Hot Holding B2
(with Heating Lamps)



F&B Display
(with Spot Lights)



Induction Cooking B2



Multi-Purpose

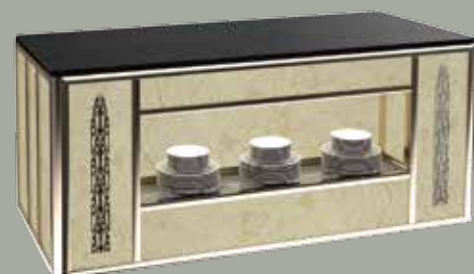
Light Star II – PANEL OPTIONS



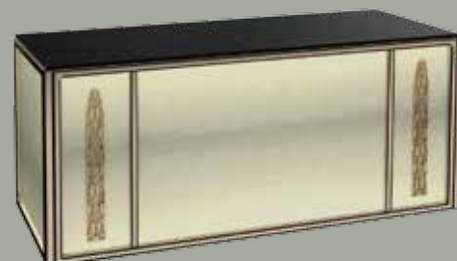
Panel with Design Print-on

MATCH YOUR INTERIOR DESIGN

With our removable designer panels you can easily give your own signature to the stations and make them match your function rooms. If you are looking for additional sets of theme function panels, they are also available and can be easy interchanged.



Panels with Oriental Pattern
(with plate space)



Panel with Oriental Deco



Panel with Wood Carved Pattern
(with plate space)



Panel with Wood Carved Deco

Light Star II – BAR & SIDE STATIONS



Service Bar
(with Designer Print-on)

SIDE STATIONS

Great additions to your buffet lines – ideal individually for smaller event



Ambient / Plain



F&B Display (Ice Well)



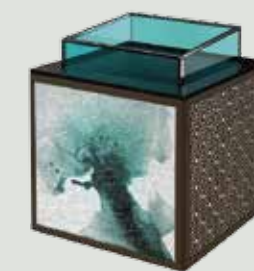
Grill / Flat Broiler



Boiler



Ambient / Plain



F&B Display (Ice Well)



Plate Warmer / Dispenser



Hot Holding



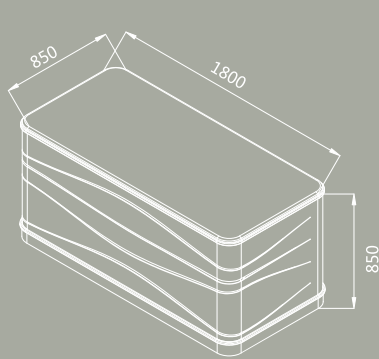
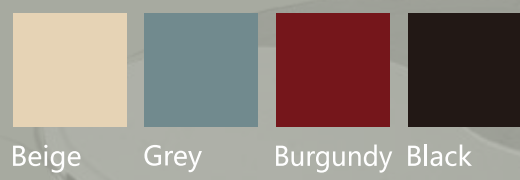
Yin & Yang

- ▶ The harmony of this shape / design, with advanced materials and great finish, are the main feature changing the look of your buffet lines forever.
- ▶ Because of its durable yet light composite body, it is easy to roll in and out of action. The high quality spray paint finish will guarantee a long lasting finish.
- ▶ Simple LED wave line design enhancing the look at night and give it that special touch, change the colour to the mood of the evening.
- ▶ The combination of the Y&Y and round side stations are ideal for setting up any food presentations and the rectangular matching design will give you ample space for the live cooking.

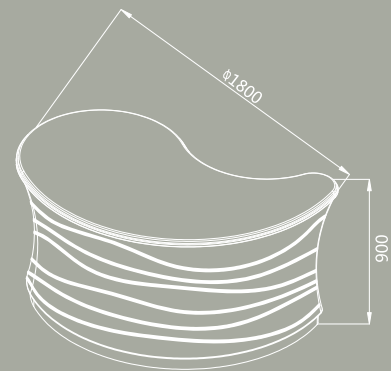
Yin & Yang

Make your own combinations and create unique new setups.

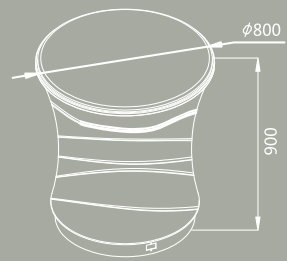
Body Colour Options



Rectangular



Yin & Yang



Round

IDEAL FOR IN - And Outdoor Setups

Easy to move and weather resistant materials, make this a good all-rounder for your day to day functions, and they make any setup look great.



Western Carving Station



Hot Holding



F&B Display
(Two Ice Wells)



Plate Warmer



Hot Holding



F&B Display



Ambient / Plain
(with Glass Riser)

RECTANGULAR ADDITION

This station design comes with an aluminum body (with high quality spray paint finish) and the LED wave line design to match the Yin & Yang. You can use it as standalone and or combined.



Hot Holding C3

ENSURING YOU HAVE ENOUGH SPACE

We created this matching station to guarantee that you have enough space for your live cooking setups, so that your Chefs can cope with the busy demand during your bigger events.



Hot Holding B2



Dim-Sum
(with Boiler Units)



BJ Duck & Chinese BBQ



Hot Plate (Glass)
(with Heating Lamps)

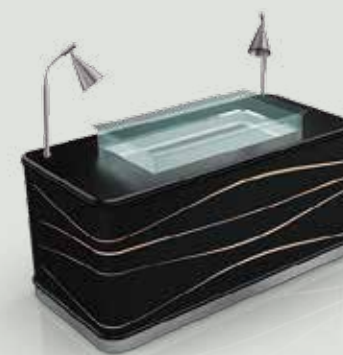


Hot Holding A3
(with Heating Lamps)



Grill Station

F&B Display
(with Spot Lights)



Sushi & Sashimi

Multi-Purpose



Induction Cooking B2



Western Carving B



Pasta / Noodles



Boiling – Multi-Purpose

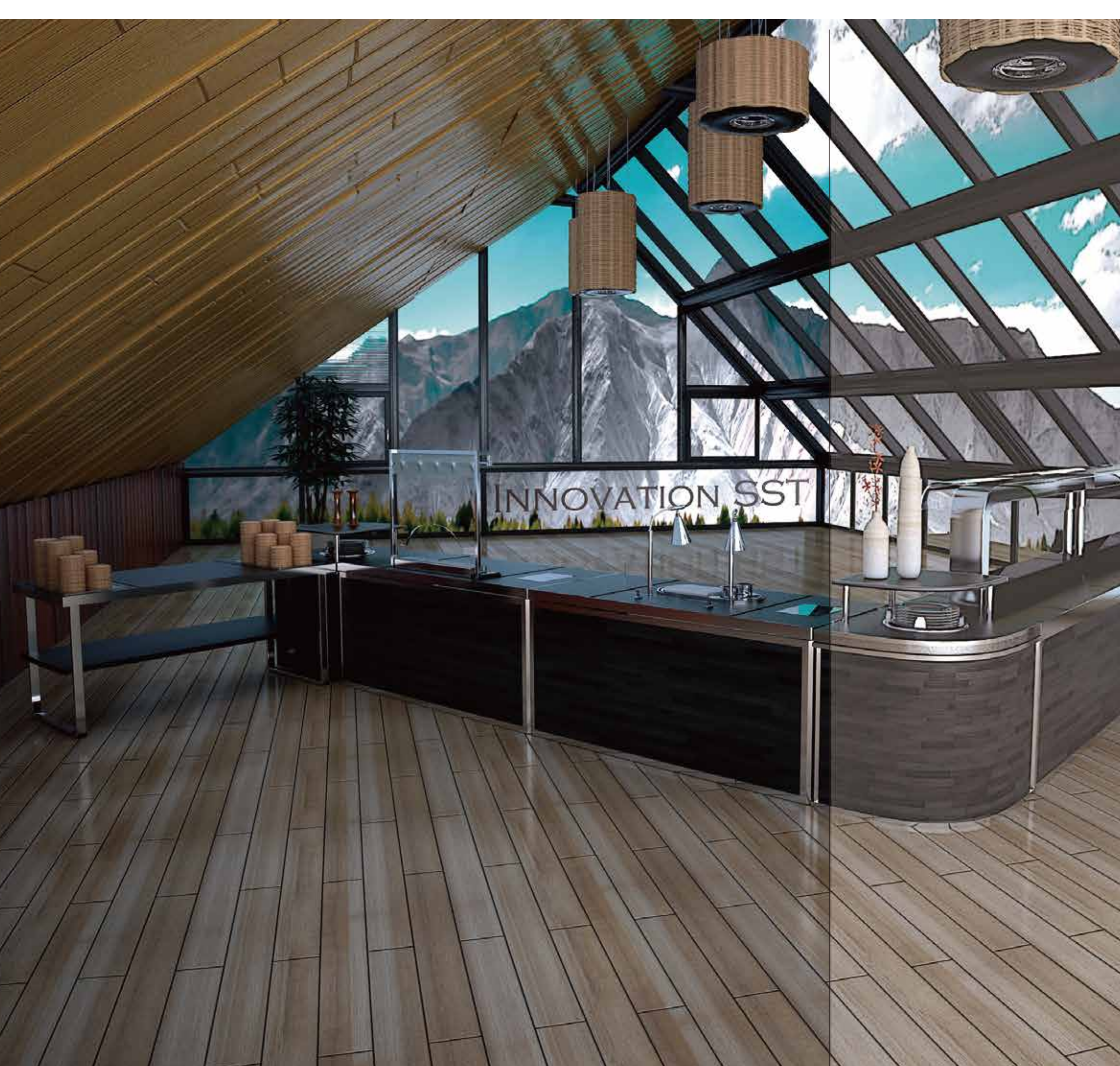


Ice Cream



BALANCE YOUR SETUPS

Combine the display Yin & Yang stations with the rectangular action stations and add the round sides wherever needed to create the ideal setup for the size of your various functions. Let us know if we can make any recommendations for you.



Multi-Flex

- As the name says, this is the ultimate system for unlimited possibilities. Easy to setup and changes can be made in no time, many options to choose from. Start small and add on whenever needed.
- Folding or knockdown system, with the option of having a designated trolley for moving the setup to another location.
- Different sizes and heights are available and give your buffet line an exciting elevation and food presentations.
- Are you looking for the simple straight forward elegant look or want to go more fancy with our customized designer panels and give the station design your own signature.
- If storage space is an issue, then this is the solution, four complete sets fit on one understructure and one modular trolley respectively.
- Module flexibility – most of them come in a very slim height, so as they integrate into the top frame. We offer 1/1, 1/2 and 1/4 modules which gives you endless setup possibilities.
- Hidden power management – build-in sockets; all cables run inside of the frame and are channeled down the legs.

MULTI-FLEX

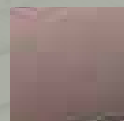
Frame Finish Options



Brushed Stainless Steel



Wood Grain Painting

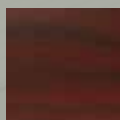


Electroplated Rose Gold

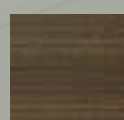
Laminate Finish Options



Black Wood Texture



Red Walnut



Raw Wood 4



Red Maple

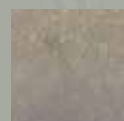


Pearl Walnut



Brushed Silver

Designer Stainless Steel Top Finish



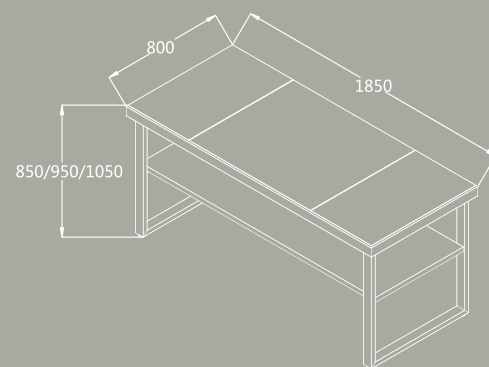
Hot Holding (with Heating Lamps)



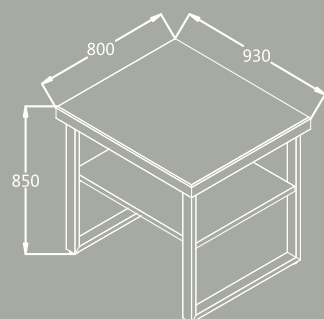
NEW - Hot Holding Plate & an Unique Power Management Solution

FLEXIBILITY AT ITS BEST

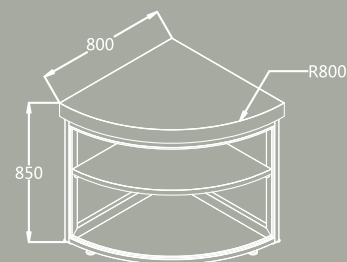
Efficient – Save Storage Space – Endless Options



Full Size Setup



1/2 Size Setup



1/4 Round (Fixed) (Corner Setup)

CREATE YOUR OWN COMBINATIONS

The beauty of the Multi-Flex Modular System is that the Chef can make easy setup changes according to the function requirements and his creativity.



Sushi & Sashimi



Hot Holding A4 (with Heating Lamps)



Hot Holding B2 (with Heating Lamps)



Induction Cooking B2



Hot Holding A3 (with Heating Lamp)



Western Carving C



Dim-Sum (Steam Hot Holding)



Multi-Purpose (with Power Management)

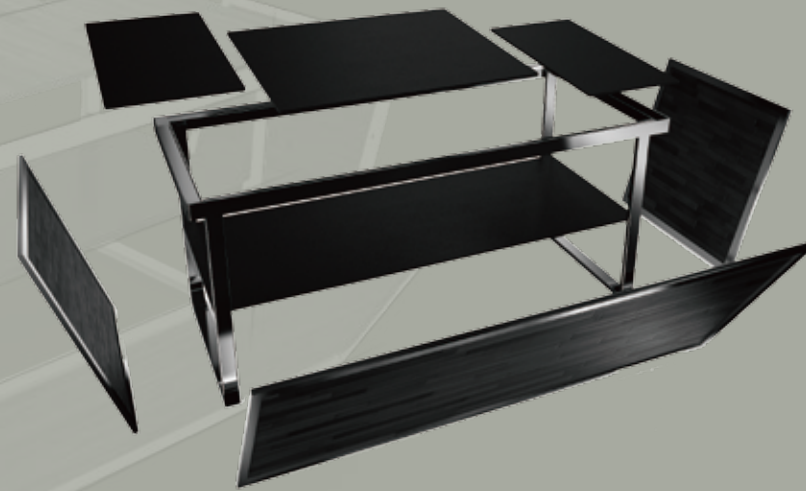


Hot Holding C4

MULTI-FLEX – THE ULTIMATE CONCEPT

TOPS – Plain top panels come in various sizes to suit your requirements

PANELS – The front & side panels are available in many different finishes, such as laminates, acrylic and designer options (Print-on, carved or laser cut pattern)



Ambient Station Setup
(with Front & Side Panels)

NEW - DESIGN LED - BUILD IN SYSTEM

Enhance your station with our unique LED panels, with a custom print-on

FOLDING LEG UNDERSTRUCTURE

– Easy & convenient setup and knock down. The legs can be locked in open and closed position



Open Position

Folding Legs

Storage Position

BAR MODULES

High quality laminated panels with our armor edge protection, the top folds for easy storage. Choose from many different colours & patterns.



Bar Module Setup

BUFFET / DINING TABLE

A NEW dining experience – our ambient tables can be used as VIP setups or Chef's Tables right at the buffet line.



Various sizes are available –
To cover all your different setup needs.

Top Colour Options –
You surely will find the suitable pattern/
colour from our range.



BJ Duck & Chinese BBQ
(1/2 Unit)



Cold Plate
(1 /2 Unit)



Flat Grill
(Tempered Glass)



Hot Holding
(1/2 Unit)



Western Carving
(1/2 Unit)



Ambient with Heating Lamp Holders
(1/2 Unit)



Ice Well Slanted
(1/2 Unit)



Hot Plate with Heating Lamp Holders
(1/2 Unit)

"MULTI-FLEX" MODULES

The wide range of hot holding, display and action modules will cover all your needs; they can simply be set into the base frame and you can create your own setup combinations.



Induction Cooking
(1/4 Unit)



Induction Wok
(1/4 Unit)



Hot Holding with Heating Lamp Holder
(1/4 Unit)



Steam Hot Holding (Dim-Sum)
(1/4 Unit)



Boiler with Baskets
(1/4 Unit)



Boiler with GN1/3 Inserts
(1/4 Unit)



Boiler with Soup Inserts
(1/4 Unit)



Boiler with Cover for Dim-Sum Baskets
(1/4 Unit)

"MULTI-FLEX" – Endless ADD-ONS

We offer matching mobile side stations which can be used for plates and or decoration setups. Our display racks make great "Bridges" between station setups and can be used as an add-on or individually



Custom-made LED Panel

Mobile Side Station

RU1AA

"MULTI-FLEX" – With Designer Panels

We have a vast range of panel designs and we also can make custom made panels matching your function and pre-function rooms



Special Acrylic Pattern
(with Optional LED Lighting)



Special Acrylic Pattern
(with Optional LED Lighting)



Plain Acrylic
(many Colours available)



Combination of Carved & LED Panels



Laminated Panels
(various Colours & Patterns)



Designer Acrylic Patterns

TRANSPORTATION & STORAGE TROLLEYS

Specially designed to hold the "Multi-Flex" modular buffet system; designated trolleys to hold the understructure & middle shelf / all modules / the front and side panels.

"Multi-Flex" Trolley for Front & Side Panels

- Holds up to 8 sets of Front and Side panels.
- Easy to load and unload.



OCA1B



OCB1B

"Multi-Flex" Trolley for Modules

- Holds up to 4 complete set of modules (1/4 or 1/2 units).
- The yellow horizontal rails can be moved to adjust the spacing; so as they can hold different module heights.



OCC1B

"Multi-Flex" Trolley for Understructure & Accessories

- Holds up to 4 complete sets of understructures, middle shelf and dividers with power management.
- The specially designed top compartment can hold the heating lamps or additional accessories.

Storage Cover

Optional you can purchase the designated dust covers for any of our "Multi-Flex" trolleys; Protect the stations from dust & dirt, make your storage look neat & tidy.

- * They are very easy to use because of the Velcro open / closing system.
- * Choose from Oxford fabric or canvas, both materials are durable and easy to clean.





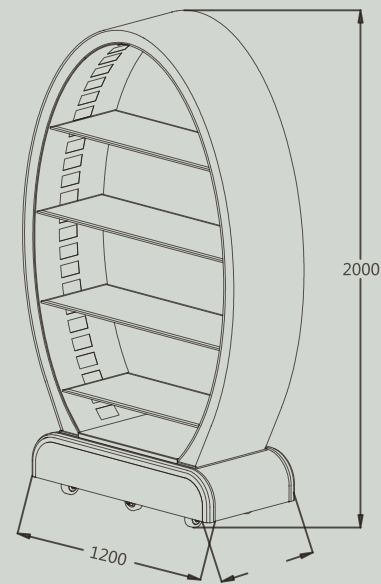
Cyber 2

- A step in the future; new materials with state of the art technology and great LED light effects are the main feature of this design.
- The Combo Station with its slide-out sides and optional touch screen, is easy to setup and also can be left in your foyer as display or info counter.
- Combinations of different shapes and sizes, make it ideal for F&B presentations; your functions will never be the same.
- Use the units individual and or combined; to suit all your various sizes and themes of events.

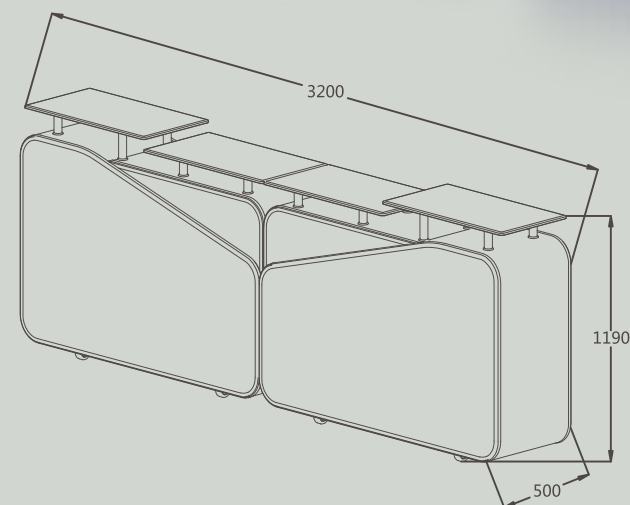
"CYBER 2" – THE COMPLETE CONCEPT

We now can offer the whole buffet display solution in this design; Combo Station, Hot Holding, Action Stations, Display Racks, Service Station and Multi-Purpose Bar / Reception setup.

FOR COLOUR OPTIONS,
PLEASE CALL OUR NEAREST SALES OFFICE.



Oval Vertical Display

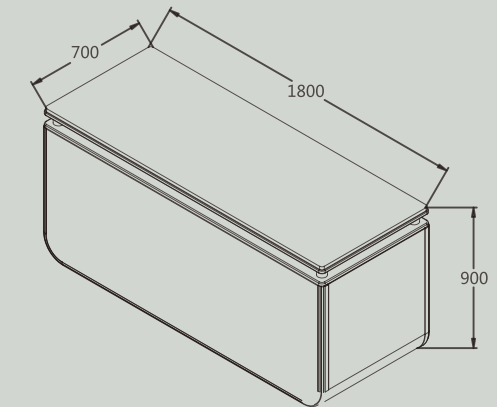


F&B Display Module

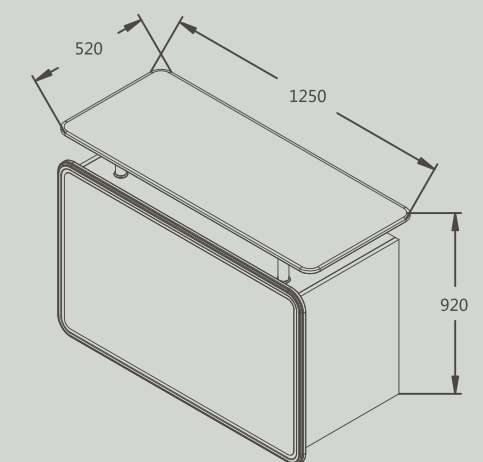


THE "AVANT-GARDE" OF BUFFET PRESENTATIONS

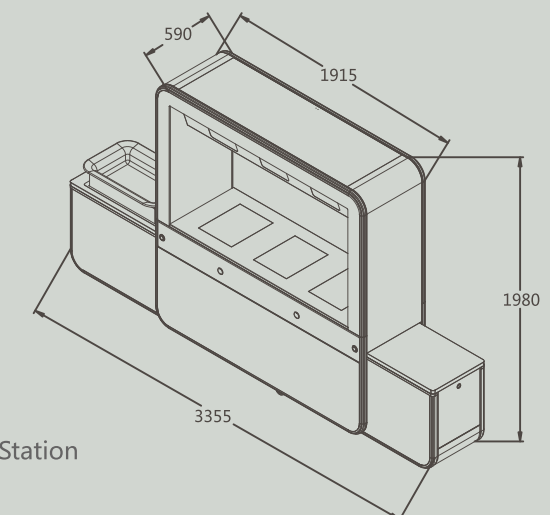
Any setup, small or large in this design will surely "WOW" your guests; the look and the LED lighting effects are stunning.



Main Station (Single)



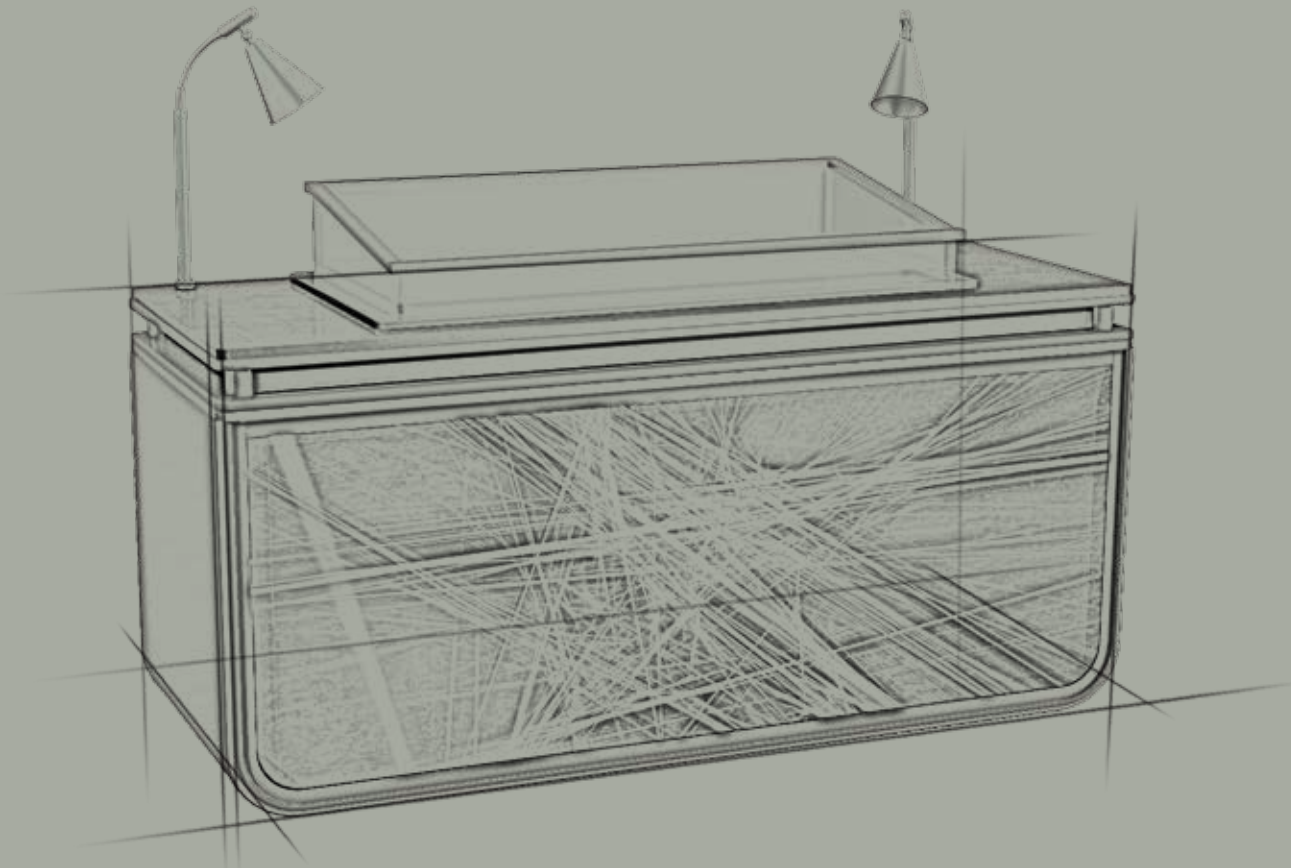
Service Trolley / Station



Combo Station

"CYBER 2" – Main Stations

Choose from the body colour options and also let us know what front design you would like; simple LED light panels or would you prefer to have a designed print on to match your BQT functions.



F&B Display



Boiling – Multi-Purpose

Hot Holding A3
(with Heating Lamps)

Hot Holding C3

MAIN STATION TOP CONFIGURATIONS

Besides the Combo setup, our main stations come with all our standard top configurations, which cover all sections of your regular buffet line.



Flat Grill with Ice Well

Dim Sum
(with Boiler Units)

Western Carving C

BJ Duck & Chinese BBQ

Multi-Purpose Station
(Front View)

Multi-Purpose Station
(Back View)

COMBINATIONS OF SHAPES

We recommend you mix and match the different products we offer in the "Cyber 2" design, changing the look of your F&B setups and giving your guests a great dining experience.

"CYBER 2" – Multi-Purpose Trolley / Station

Use it as a mobile Coffee / Beverage Station, Snack setup or as an addition to any food display for your buffet line. How about a modern elegant looking Reception / Pre-function setup?

Change the mood – Use it during the day without the light and impress during the evenings with the LED light feature.



Imported deluxe casters not only make it easy and quietly to move, but also give it an elegant look.



Back View

At the back we have incorporated two drawers and open storage space to suit your operation needs for various setups.

"CYBER 2" – Oval Display Rack

A stunning way for any F&B presentations; spice up your standard buffet setups with our vertical displays.

LED Lighting System – it comes with rechargeable battery & plug in function.

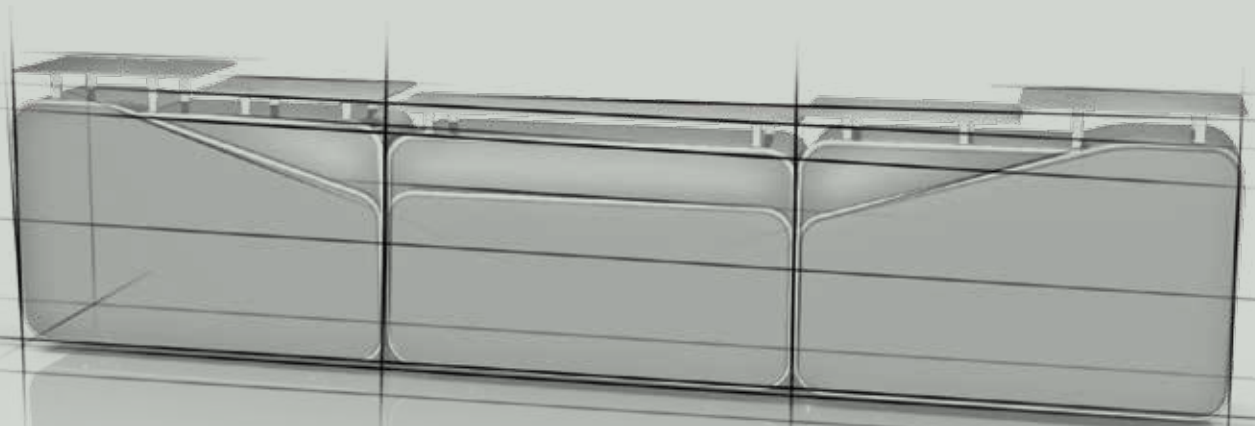
Mobile – they run smoothly on their own casters, hence relocating them is very easy.



Use them individual or combined, and make your own settings; they make great back bar displays and can also be used as island setups for cocktails and buffet lines.

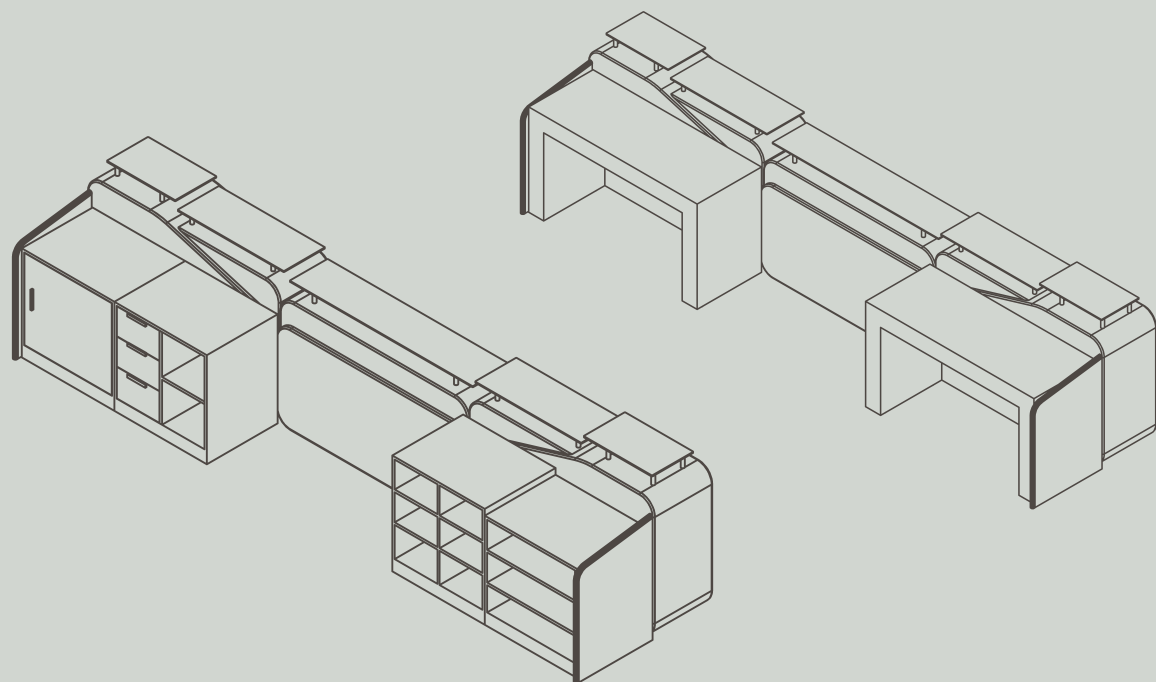
"CYBER 2" – Mobile Bar Modules And More...

A NEW and innovative way of building your own size bar; easy to setup and relocate, can be setup in many different ways and sizes, that give you additional flexibilities when there are space limitations.



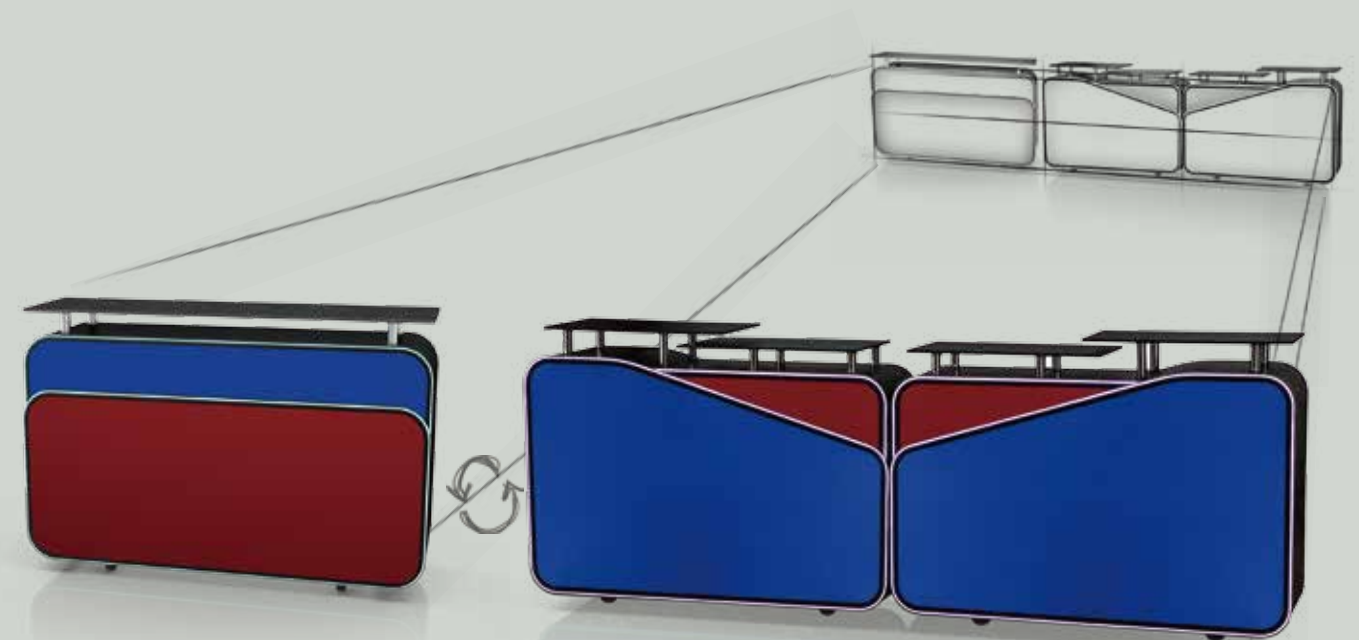
MULTI-PURPOSE

This design comes with many add-on modules, which convert the single display stations to small / large buffet tables, reception desk, information booth etc. Use different stations and modules to make the setups to your requirements.



REVERSABLE UNITS

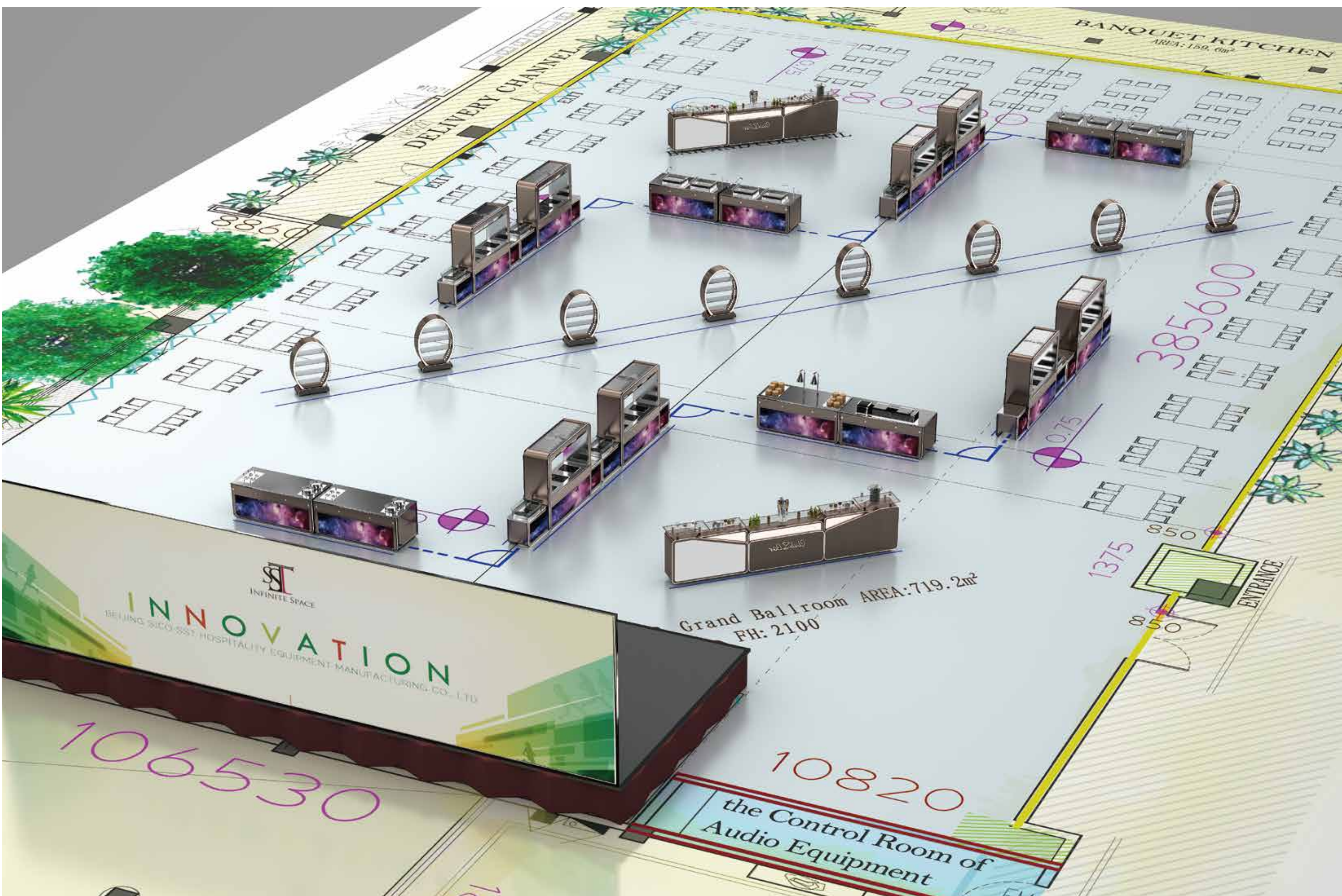
The multi-purpose stations look both sides the same, they can be reversed and or used as island setups. The LED lighting system comes with many additional features and gives it a new look for different setups.



GREAT COCKTAIL BARS & FOOD DISPLAYS

No matter you want to make a small or large bar setup, or use them for snack, cocktail & dessert setups, they always enhance any F&B presentation.





SIMPLICITY

A simple design with flair & functionality

ACTION & DISPLAY STATION – All in one

Most of the action station in this design can be converted to an ambient display table, by adding the matching cover. This give you flexibility and your setup can be changed instantly.



Service Station

Both sides accessible with built in shelf and pull out drawer, for ample of storage space. Multi-purpose use, not only for plates and cups, but it also can become a Coffee / Beverage Station.

Nesting Buffet Tables

A set of three gives you many different setup options. They move easy on their own casters, and can be nested and left in your foyer for displays.



SIMPLICITY



F&B Display

Anything you want to present on Ice will make a great display on this station. The built in ice well comes with LED lighting and drainage system.

Induction Cooking & Hot Holding

Live cooking and hot food presentation in one; Add exciting "A La Minute" dishes to your standard hot food setups.



Western Carving

An elegant way to serve your roasts and their side dishes, such as veggies, potatoes and much more... Can also be used as a hot holding station only; for chafers, induction ware and baked & dry dishes.

THE CONCEPT FROM A-Z

We have the complete range of buffet stations, tables, bar and display racks & pillars available in the "Simplicity" design.

Boiling & Holding:

Two built-in boiling units with various inserts, can create different setups for all your needs. They also can be used for steam hot holding with our designated top trays.



Boiling - Multi-Purpose



BJ Duck & Chinese BBQ

Display Columns "Simplicity" Design

They come in different shapes and sizes, ambient or with LED lighting. Use them to break up your buffet lines or as food displays.



Decoration / Display Stand



Display Stand with LED Light Top

INFINITY

A blend of "Modern / Simple" design with high quality VCM body (which comes in many different colour & patterns), and our proven armor edge protection give it distinctive look and durability.

Grill / Flat Broiler
(with Exhaust System)



LIGHTER & DURABLE MATERIALS

No visible wooden parts (except back panels); the body is wrapped by a VCM sheet, which makes it also suitable for outdoor use.



Hot Holding B2



BJ Duck / Chinese BBQ
(with Display Rack)



Ice Cream



Boiling

INFINITY - Some Top Configurations

Just to show you a few; also this exciting design comes in all our standard top configurations. Let us know if you need additional setups.

Multi-Purpose Station
(Front View)



Western Carving B



Induction Cooking B2



Multi-Purpose Station
(Sushi)



Dim - Sum
(Steam Hot Holding)



Pasta / Noodle



VCM BODY

Endless options on colours & patterns, show us your Interior and our designer will make matching design suggestions.



“Venice”

Hot Holding C3

ENDLESS SETUP POSSIBILITIES

Combinations of the oval main stations with our round and oval side stations which come in different heights, make it the ultimate flexible buffet line setup, which fits in any place.

F&B Display
(Oval Ice Well)



BUILD TO LAST

Quality chosen materials such as the stainless steel decoration rims, VCM middle box and our durable armor edge protection, guarantee a long lasting look.

UNIQUE & TIMELESS

The oval shape makes this station – “Stand out of the Crowd”



Multi-Purpose
(with Power Management)



Western Carving B



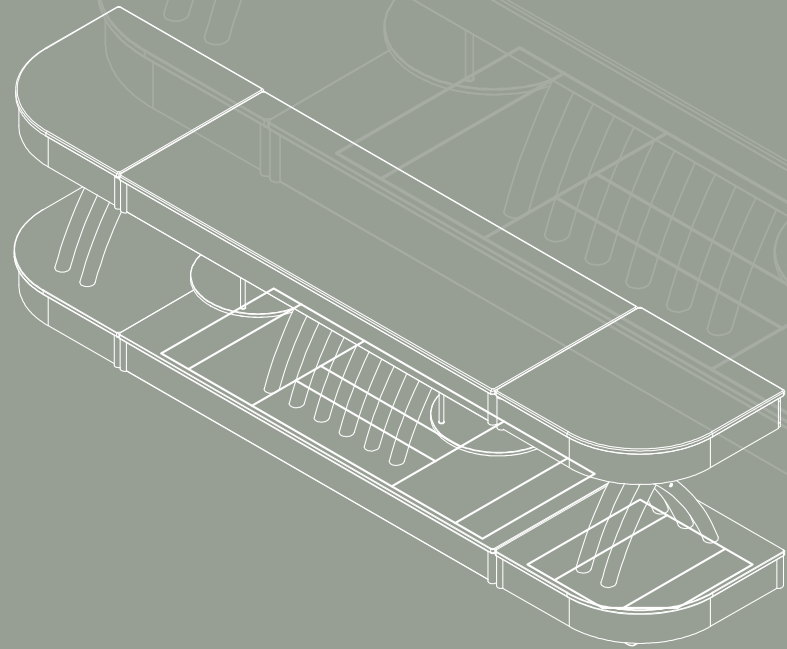
Hot Plate (Glass)
(with Heating Lamp Rack)



Pasta / Noodle
(with Lighting)

METALLIC "C"

With our one rounded corner stations you can create many different shapes of setups by adding them to the main stations.



MODERN & ELEGANT LOOK...

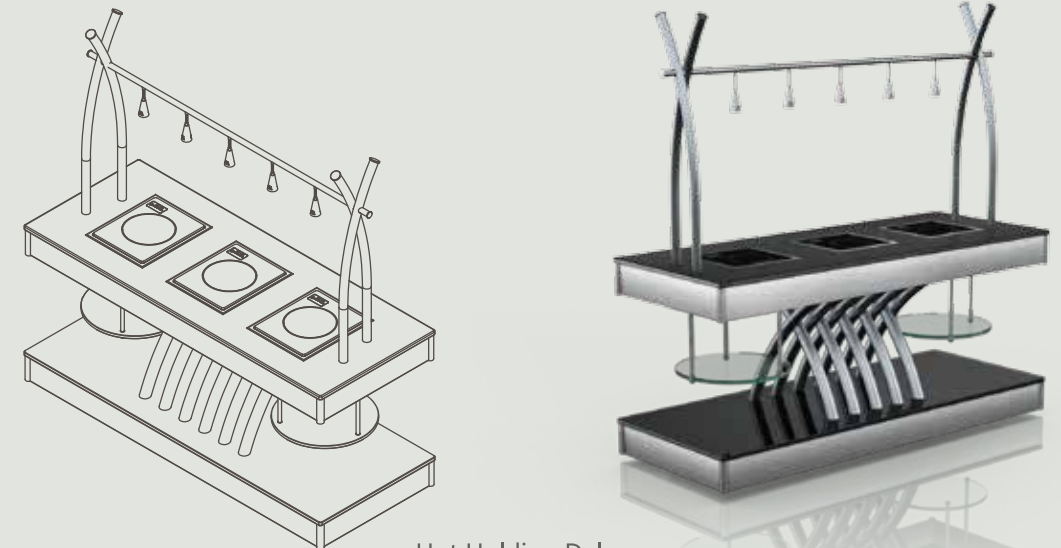
The curved / brushed stainless steel tubes and wrappings are the main feature of this contemporary design.



Hot Holding B2
(with Heating Lamps)

EASY TO MOVE

The slim design is not only for the look, but also makes them lighter and easy to move from one place to another; they fit through any standard door way.



Hot Holding Deluxe
(with Spot Light Rack)



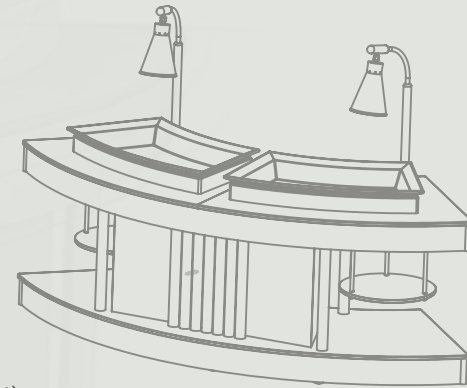
Corner Station Hot Holding

METALLIC "B"

The brushed stainless steel and black vinyl finish with its simplicity make this a time-less design, which is great for in- and outdoor events.



F&B Display (Crescent)
(Two Ice Wells with Spot Lights)



COMBINE B & C

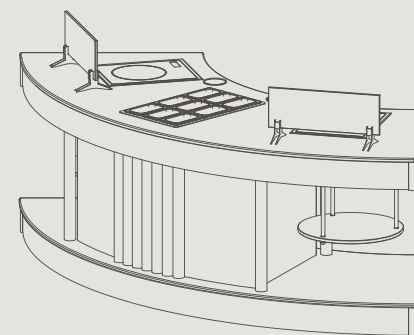
Mix and match the Metallic B & C design, the two styles go well together and give your buffet lines a very interesting look. Use straight and or crescent shapes to add to the variety of different setup possibilities.



Hot Holding A3 (Crescent)
(with Heating Lamps)



Induction Cooking B2 (Crescent)
(with Condiment Holder)

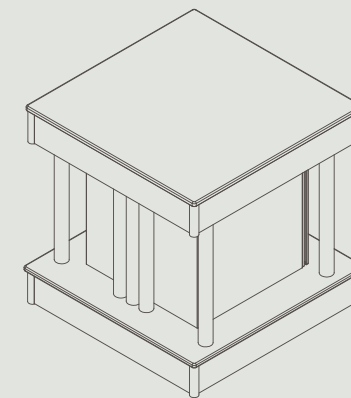
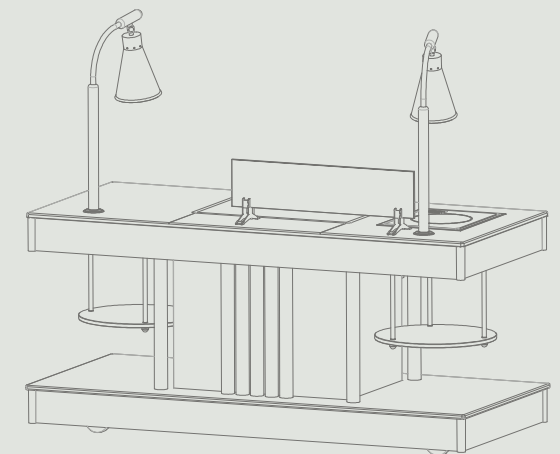


VARIETY OF SHAPES & SIZES

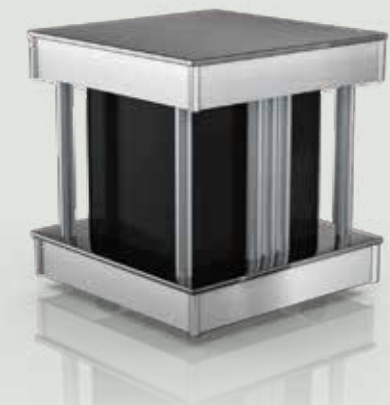
The Metallic B comes in rectangular & crescent main stations, and as add on we have square and crescent side stations. With this combinations you can make many shapes of buffet lines, being against the wall or island setups.



Pasta / Noodle



Ambient / Plain Side Station

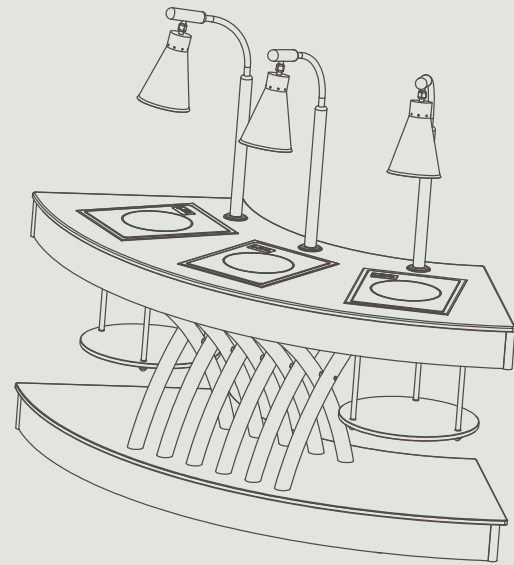


F&B Display with Spot Light Arch

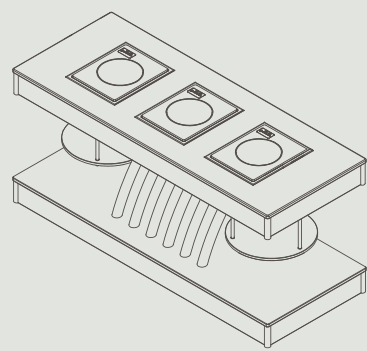
VARIOUS STATION DRAWINGS – Metallic “B & C” Design

Please contact our sales office for more top configurations, setups and recommendations.

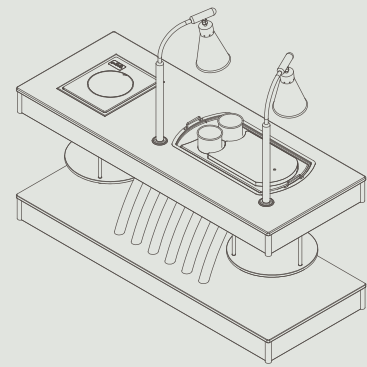
This is a great station design which blends with many different interior designs, and because of the high quality materials used, it also can be used for outdoor or outside catering events.



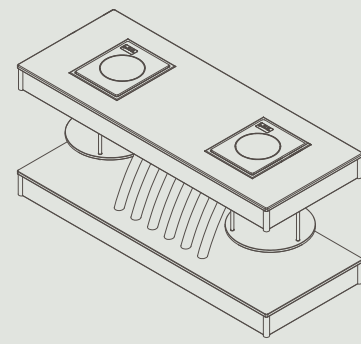
Hot Holding A3
(with Heating Lamps)



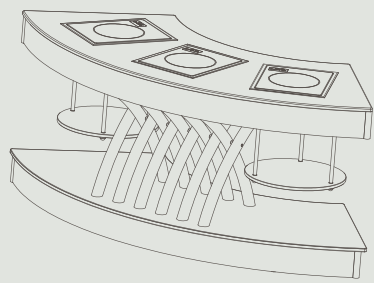
Hot Holding C3



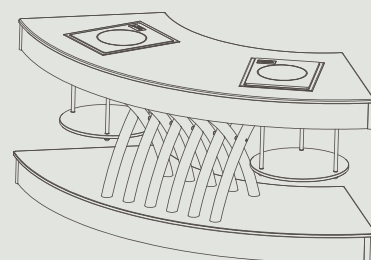
Western Carving B



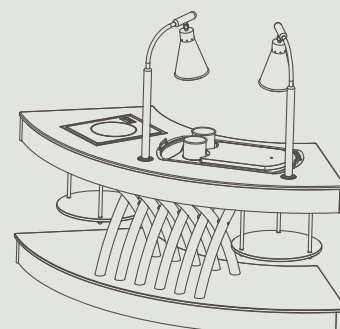
Hot Holding C2



Hot Holding C3

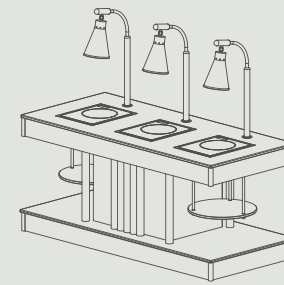


Induction Cooking B2

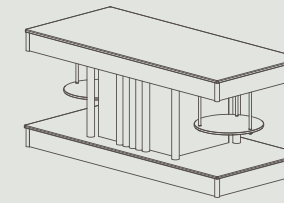


Western Carving B

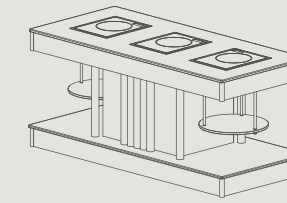
STANDARD STATION SETUPS



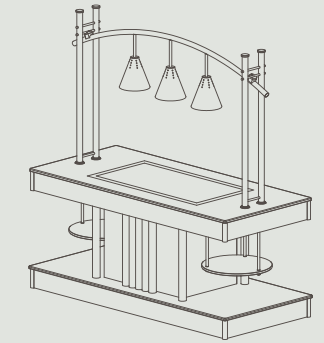
Hot Holding A3
(with Heating Lamps)



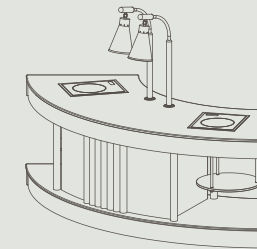
Multi-Purpose



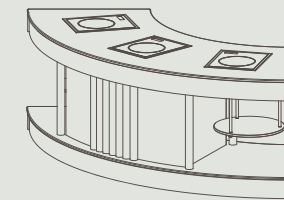
Hot Holding C3



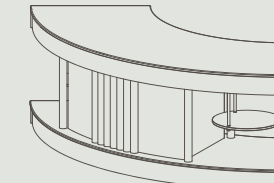
Hot Plate
(Tempered Glass with Heating Lamps)



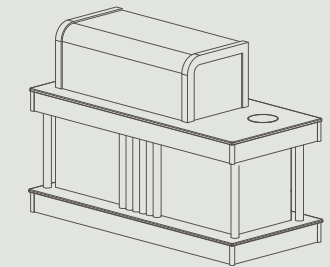
Hot Holding B2
(with Heating Lamps)



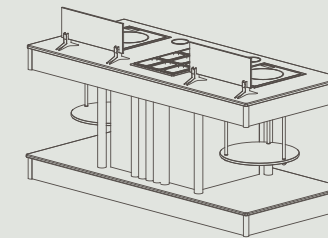
Hot Holding C3



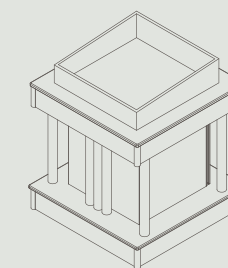
Multi-Purpose



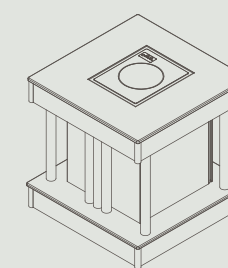
Ice Cream Station
(No Plate Space)



Induction Cooking B2



F&B Display



Induction Cooking

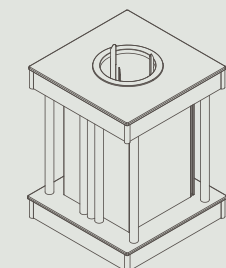
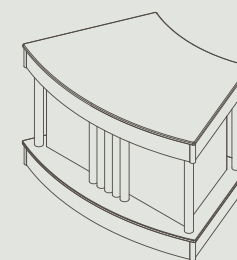
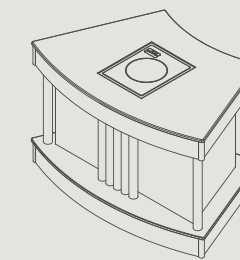


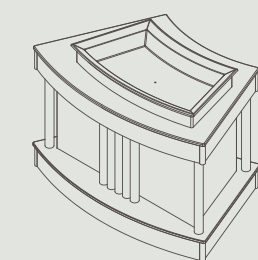
Plate Warmer



Ambient / Plain



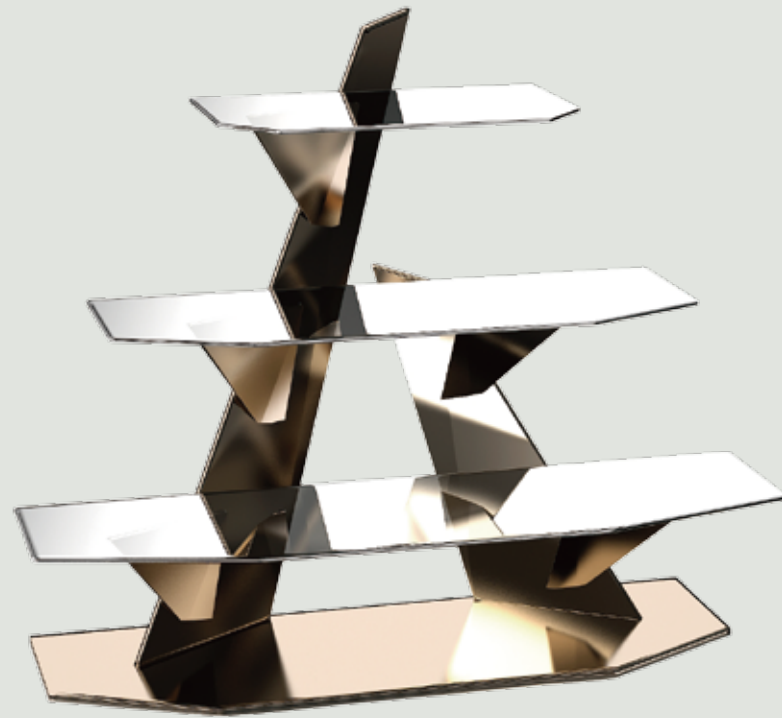
Hot Holding



F&B Display
(Ice Well)

BUFFET DISPLAY STANDS

This popular accessories, come in many different sizes, shapes and finishes, to suit any buffet F&B display concept. Our designer came up with luxury & elegant designs, which will enhance any type of food presentations, suitable for a la carte and large buffet events.



J16T5

This attractive stand makes a great buffet display; for more information on available finishes and sizes, please call our nearest customer care center.

Food Display Stand (3-tiers)

Multi-purpose; for pasties, cakes or canapes & snacks, your displays will never look the same.

LED DISPLAY STANDS

One of our special designs, the F&B display stand with integrated LED light system; available in different shapes & sizes, the body is made of aluminum (with high quality paint finish), and they come with a tempered glass top.



LED Display Stand
(rectangular)
J17SC

Use different heights, which will give your buffet lines an interesting look and the lighting effect will make your setups spark.

As a standard the body comes in a plain finish, however we can add your logo or interior matching designer pattern, which will also be highlighted by the LED.

*** Available in square, rectangular, cone and crescent shapes.

The combination of material & shape, make this the ideal display table stand. Use it for your snacks, desserts or small appetizer presentations



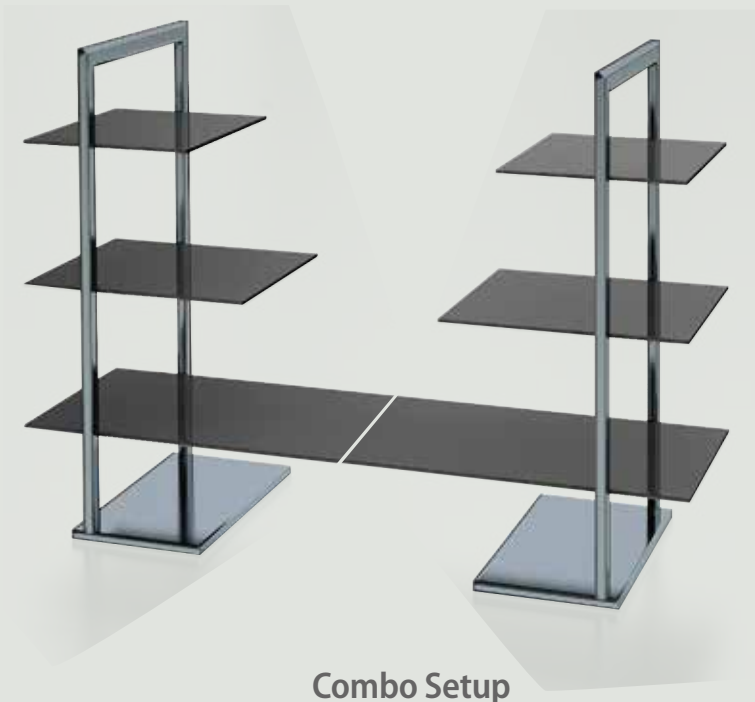
Round Display Stand
J18EA

METAL DISPLAY STANDS

Our tri-tier stainless steel stands are designed that you can use them individually and in combinations with each other. The three different sizes of trays enhance your food setups and make it easy for the customer to serve themselves.



Elegant Display Stand
(Tri-tiers)
J07UA - AFASP



Combo Setup

You can choose from different colour and finishes, and make many setup combination because of its thoughtful design.

BUFFET RISERS & DISPLAY STANDS

Our various designs let you choose from buffet risers to food display & serving stands. They all come in a high quality stainless steel with many different colour finishes.

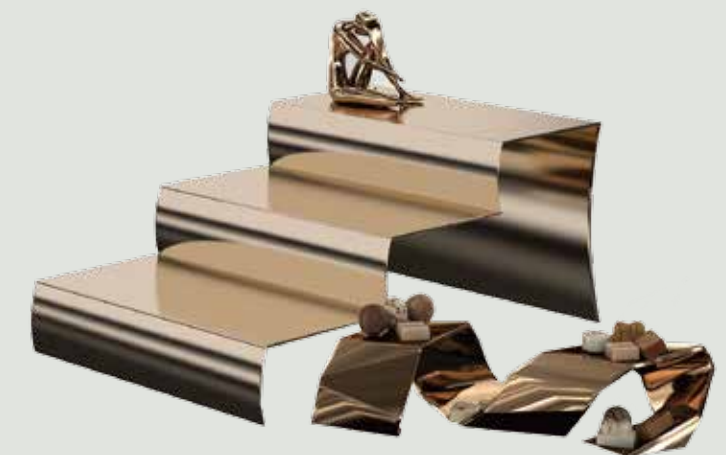
*** Available in our standard sizes with three different heights, but also can be customized



Buffet Risers / Food Stand
(you can use them to set your food displays at different heights or display your food directly on our stands)
J07UA - AFBSP



Food Stands "NOUVO"
(Ideal for afternoon tea, A la carte servings and small buffet setups)
J07UA - AFASP



Food Stand "ESCALIER"
(We recommend you order a combination of the one, two, three and four step risers, for endless combination of setups)
J09T3

MOBILE F&B DISPLAY

They are designed for multi-purpose use; the aluminum finish, glass trays and LED lighting give them an elegant modern look. And the 1/4 round shape gives you various setup options.



GREAT BACK BAR DISPLAYS

They move easy on their own casters and enhance any bar setup. Use them as back display and or F&B walls, individual or in combination with other buffet products.

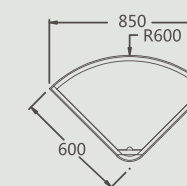
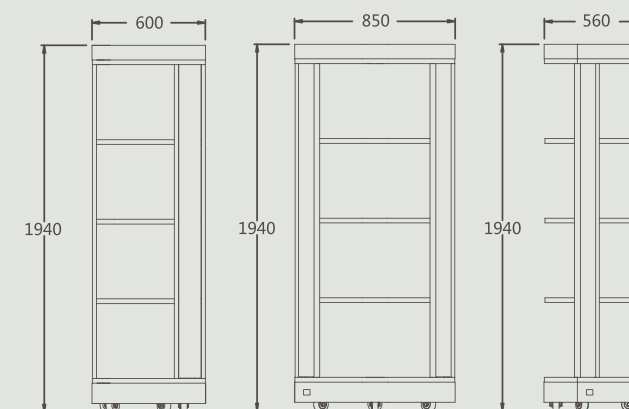
TOWER DISPLAY

The 1/4 round design makes them ideal to be used individual, as a straight or curved line, and also as a round pillar. It fit any setup from small to large and always makes a stunning stand.



When not in action, simply use them as displays in your foyer and save time and storage space. They can be moved and setup in no time when needed.

Combination of Four Racks



Single Rack

DISPLAY RACKS – STANDS

They can be used individually for various F&B display setups or in combination as back bar or connecting "Bridges" between buffet lines



Display Cabinet

Wooden main structure with metallic look high quality paint finish and furniture lacquer protection. (Various colours and patterns available)



- Glass shelves - they come in clear, frosted or tinted finish
- Down spotlights to enhance your displays

Mobile F&B Display Rack

"Simple yet Elegant" – comes in a wooden structure with a high quality furniture lacquer finish.

- Mobility – moves smoothly on its own casters
- Closed Storage Cabinet – gives you additional space for your "Mise en Place"
- Various Colour & Pattern Options – Our designer will customize it to match your surroundings



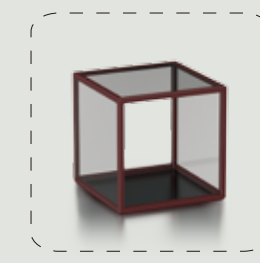
JO9SA

DISPLAY CUBES & TOWERS

The "Magic Cube"

Create your own by choosing your colour and material combinations, and change the setup according to your daily event needs

- Aluminum Frame – comes in many different colours, let us know what is your favourite
- Stackable Cubes – easy to setup in various ways and combinations (can be used for table- or floor standing displays)
- Panel Options – Glass or wood panels are available in many different finishes / patterns / colours



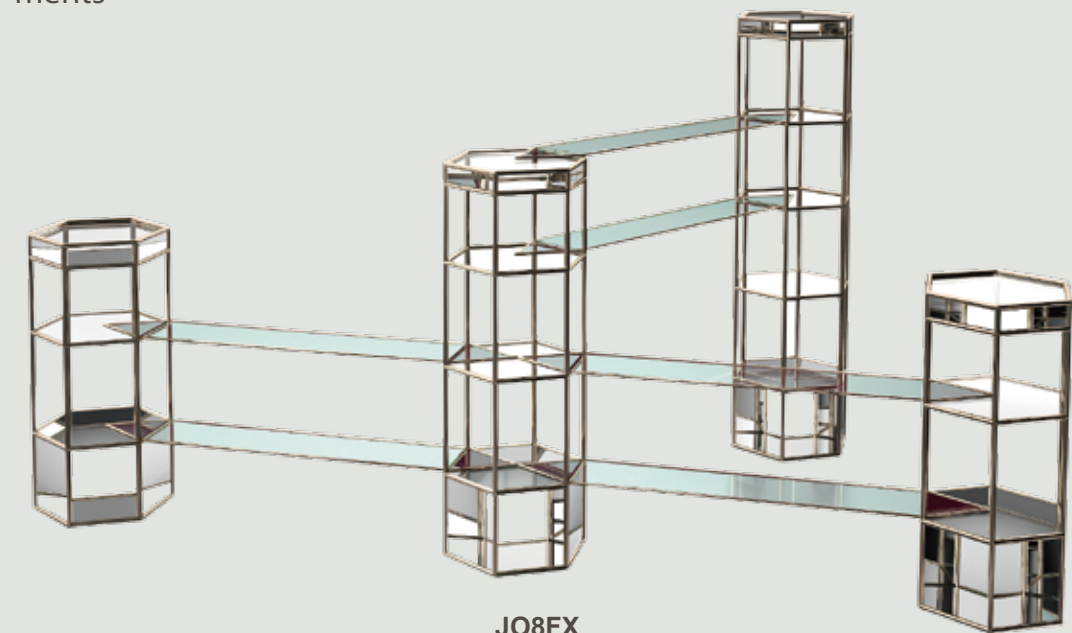
JO8Q1



Hexagon Display Towers

Available in three different heights; Use them individually or make your own combination

- Multi-purpose – Ideal for F&B displays as well as high-tables. They are great additions to your standard buffet line
- Unique Shape – the six sides allow you to come up with endless setup arrangements



JO8FX

BUFFET TABLES – “FLEXI” Design with LED Top



NEW

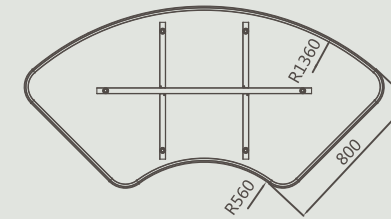
Flexibility with removable tops and folding understructures; enables you to have an efficient setup, moving fast in and out of action.

Folding Understructure

(available in different color finish)
*** Four different heights

LED Top (Removable)

With a build-in rechargeable battery, which not only adds convenience but also looks great

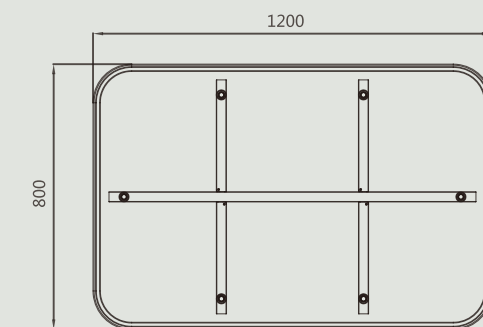
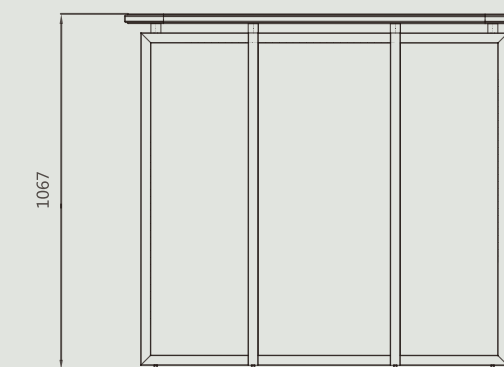


Patented PVC Protection Rim

Shapes; Available in Rectangular, Square, Round, Crescent and Oval

Top Options - various materials available to suit your requirements

Transport and Storage Trolleys (Optional)



TRANSPORT & STORAGE TROLLEY FOR “Flexi” BUFFET TABLES

- This combo trolley can hold up to 10 sets of square or round buffet / cocktail tables.
- We also offer trolleys for tops and trolleys for understructure only; they are designed to hold all other “Flexi” buffet table shapes.



OC51B

BUFFET TABLES – Euro Style with LED Top

This luxurious buffet table design comes in European style with crafted wooden legs, which are finished with a high quality lacquer to make them long lasting.

Various top options and finishes are available, for more information contact our nearest sales office



TBJL5

Optional

- **Various Tops** – All our standard top choices are available for this table
- **Leg Structure Finish** – Choose from our paint colour swatch or let us know what colour finish you are looking for
- **Size & Shapes** – We offer this design in rectangular, square and tri-angle shape in various heights

Waterfall / Nesting Table System

- Different heights and sizes give you plenty of setup ways
- No additional storage space needed – when not in use, nest them inside each other and leave them in your foyer as display table



TBJO5

BUFFET TABLES

This time-less buffet table design comes as a standard in stainless steel with hairline finished. The tempered glass top is available in natural, frosted or tinted colours.

The V-design side compartment is ideal for decorations or displays.



TBTL5

Optional

- Stainless steel structure in polished finish
- Steel structure with powder coat (a vast choice of colours)
- Laminated tops; they come in many different patterns
- Designer glass tops; giving your table displays a new exciting look

“EURO” Style Buffet Table with Glass Top

- Choose from clear, frosted or tinted glass; we also can provide designer glass panels for special effects
- The two lower tables are also suitable for display & plates setups as side tables



TBTL1

BUFFET TABLE – “Roma”

Yet another stylish design with designer leg structure



TBJ05

Our in-house designer constantly will come up with NEW exciting designs, to ensure we can offer something for any environment, suitable for the ever changing market trends.

BUFFET TABLE – Waterfall System

Mobile wooden buffet tables, nesting easy for storage and can be used combined or individual. Ideal for small to large functions



- **Designer Side Panels** - can be customized according to your Interior design
- **Tempered Glass Top** - protects the product and enhances the look
- **Mobility** - Easy to be relocated as it rolls on its own recessed casters

BUFFET TABLES

Storage space saving – as they are designed to stay in your foyer or lobby; when not in use for events they make great displays



Our designer put simplicity & practicality into this design, and with the material chosen it is the perfect match for the Multi-Flex buffet stations, and also looks great by its own.

Frame / Understructure

- Our high quality stainless steel structure are available in brushed, electric paint, wood grain and powder coat (steel structure) finish
- Optional casters or transport trolleys for easy relocating and storage if needed

Tops:

All options are neatly set into the frame, they are easy to be interchanged, hence you could order various top panels to change the buffet table style to match your event or the mood of the day.

- **Tempered glass tops** – Frosted, clear or tinted
- **Laminated tops** – Endless patterns & colours available
- **Designer Tops** – Exciting prints & designs to choose from



TBTL5

COCKTAIL TABLE "FLEXI"

If storage space is an issue, then this is the right table for you; removable top and folding understructure, they are neatly put on our transport and storage trolleys.



- **Efficiency** - this tables are quickly setup and knockdown, also are easy moved wherever you need them with our specially designed trolleys.
- **Shapes & Height** - round and square tops are available in two different sizes, the understructure comes in three heights.
- **Middle Shelf for displays**
- **Top Options** - clear, frosted or tinted glass tops, laminated wood or LED light tops.

COCKTAIL TABLE – FANCY

Elegant modern design; - a well-balanced harmony of shape, material and colours are enhanced by our removable NEW LED top.



TCGM1

SST's designer PVC edge with integrated LED light rim – it protects the top during setup and knockdown, and it looks great when in operation.



Various Top Options are available; our designer will gladly make recommendations according your interior design.

COCKTAIL TABLE – "CLASSIC"

The antique look of the understructure and the distinctive shape are the main feature of this design



TCGM2

Durable Top – Laminated wooden top with our armor edge protection

Understructure – The steel structure comes in an antique brass / cast-iron look

Optional

- As the top is removable, we can offer many different tops, such as glass, wood, LED etc.
- The understructure comes in a vast range of colour finishes

COCKTAIL TABLE "DELUXE"

This elegant simple design comes with removable top, hence you can have different tops to change the mood of your functions.

LED Light Top

It comes with our newly improved version; whereas the rechargeable battery is built into the top, which gives it a clean / smart look. The colours can be simply changed by using the provided remote control.



TCEL2T8



TCEL2T2C

High Quality Stainless Steel Understructure
- comes in brushed, polished or black powder epoxy finish

COCKTAIL TABLE – FIXED STRUCTURE



TCGM3

"TIME-LESS DESIGN"

Our designer came up with a new contemporary style of cocktail table. Which looks good in any environment.

- Choose from our great choice of top options

REMOVABLE TOPS & FOLDING STRUCTURE

Design Features :

- Folding stainless steel understructure in hairline finish (electric paint finish available upon request)
- **Removable tops** – choose from LED light, wood top (laminated) and various tempered glass tops
- **Easy transport & storage with the designated trolley**



TCGM4

COCKTAIL TABLE – PULLOUT TRAYS

Space saving & functioning concept; Our SST designing & developing team have put all of it in this great design.



Hexagon
TCGM6



Both the hexagon and round shaped tables can be used as tower display or cocktail / snack table – depending on your function needs, you use none or 1-3 pull out trays

↔ *"Serve your F&B in Style" and let your parties be the talk of the town* ↔



The high quality water resistant materials make it the ideal table for in- and outdoor events.

Choose from a vast range of colours, finishes and various top options; this lets you customize it to be your own design.



Round
TCGM5

SOCIALIZER TABLE

THREE TABLE CHOICES IN ONE – the versatile SICO SOCIALIZER comes in three distinct models designed to meet your facility's needs.

Multiple uses - recommended by hotels, conference centers, clubs, and schools. Table rolls on its own wheels. There is no lifting, no parts to assemble, and no caddy needed for transportation.

Easy cleaning - MDF core, Armor Edge and high pressure laminated top assures an easy to clean and sanitary top.

Large top - diameter 910mm gives you ample space



*** Available in square and round tops



Minimum storage space - tables nest together due to unique folding top design and interlocking legs.



The All-A-Round:

12 height adjustments in a single table. From 740mm to 1040mm.

The Sit-A-Round:

Single height table, designed for seating.

The Stand-A-Round:

Single height table, designed for pre-function events where guests remain standing.

COFFEE BREAK CABINETS

Our cabinets come in many different shapes and sizes, they can be used individually as well as combined. They roll on their own casters, which allows you to move them easily from location to location.

The high quality paint and furniture lacquer finish, make them stunning displays in your foyer, and they do not need any additional storage space.



GO2AA - IOM01

- **Build-in Power Sockets** – allow you to plug in your coffee machine, mini fridges and tea urns
- **Door Options** – you can choose from slide-in doors (which are neatly hidden), or open doors with display shelves to suit your requirements
- **Customized Setups** – besides our standard functions, we can also make changes according your needs
- **Designer Pattern** – with the vast choice of finishing and patterns, we can give the cabinet a signature to match your interior design



GO2AA - IOM02

LOW & HIGH CABINETS

From a service / work station to a display setup, you can add this to any of your buffet cocktail lines. The closed storage space and drawers are ideal for your "Mise en Place"



High Cabinet
GO2AA - IOM03



Low Cabinet
GO2AA - IOM04

- **Important Casters** – make it easy to move them in and out of action
- **Custom Designs** – please contact our nearest sales office or our customer care center, they will gladly assist you and make recommendations

COFFEE BREAK CABINETS – With slide-in Doors

We can customize the setup / configuration of the cabinets according your operation requirements.

- **Slide-in Doors** – conveniently can be opened & closed during use and storage
- **Mobility** – the can easily be relocated, as they roll smoothly on their own caster base
- **No Storage Space needed** – when not in use, they can simply become part of your foyer furniture



G02AA - IOM05

“Various Door Finishes are Available”



Our Designer gladly makes some recommendations to match your Interior Design

COFFEE BREAK CABINETS – With slide-in Doors

A combination of three cabinets give you the perfect setup for a Coffee Break, they are mobile and easy to move from location to location, at the same time they can be kept in your Foyer and do not need to be stored away.



- **Coffee Cabinet** – setup your coffee machine and hot water urn
- **Display Cabinet** – for snacks, bakeries and desserts
- **Beverage Cabinet** – designed to hold a display fridge, glasses, juice dispensers etc
- **Slide-in Doors** – the coffee and the beverage cabinets have slide-in doors, which conveniently can be opened during use and closed for storage
- **Adjustable Shelves** – easy adjust height of shelves to fit your needs
- **Design** – contemporary stylish design, with a high quality furniture lacquer finish



G02AA-I1LXX

G02AA-I1MXX

G02AA-I1RXX



Conference & Banquet Solutions

From our extensive range of mobile folding tables to our portable dance floors and easy to use mobile folding stages, we offer a host of versatile products to make your Banquet Functions a success.

- ▶ Staging & Steps
- ▶ Tables
- ▶ Insta-Wall
- ▶ Harmony Choral Risers
- ▶ Folding Tables with Stools
- ▶ Podiums
- ▶ Portable Dance Floor
- ▶ Banquet Chairs

Fast and efficient setups and storage,

“MAXIMIZE YOUR SPACE & TIME”

STAGING & STEPS

From performance stage to head table risers, SICO stages provide the ideal platform for any event. The complete ranges of staging products are designed to fit any venue and to withstand the rigours of a hard working environment.

SICO offers everything necessary for complete, professional staging; steps, stage skirting, guard rails, chair & table stops and caddies.



2 Step Standard
1418-016-xx
(For Dual-height Stage 410/610mm)



3 Step Standard
1418-024-xx
(For Dual-height Stage 610/810mm)
1418-018-xx
(For Tri-height Stage 460/610mm)



DUAL HEIGHT MOBILE FOLDING STAGE

- **Multiple uses** - recommended by hotels, clubs, convention center and schools.
- **Self-storing units** - single person setup and easy storage giving saving in labor and time.
- **Two Heights** - dual-height models with 200mm increments, easy adjusted.
- **Deck size** - 1220mm x 2440mm and 1830mm x 2440mm.
- **Heights** - 410mm/610mm 610mm/810mm 810mm/1020mm.
- **Heavy duty non-marring wheels** - protect floors and give long term life.
- **Vinyl coated steel edge** - provides long lasting wear and durability.
- **Velcro** - placed around the perimeter of stage for easy drape attachment.
- **Stage legs** - unit rests on 8 direct-to-floor load bearing legs that stabilize the stage.
- **Strength and durability** - deck load of 610 kg per square meter.
- **Safety** - over-center locking mechanism keeps decks and legs locked in place during transportation.



2 Step with Caster & Rails

SAS11Bxx
(For Dual-height Stage 410/610mm)



3 Step with Caster & Rails

SAS11Dxx
(For Dual-height Stage 610/810mm)
SAS11Cxx
(For Tri-height Stage 460/610mm)

TRI-HEIGHT MOBILE FOLDING STAGE

- ▶ **Versatility** - easy to adjust three heights, at 152mm increments.
- ▶ **Easy to use** - minimal effort to set up, keeping your staffing requirements and labor costs to a minimum. Easy to fold, and changing heights is simple with our automatic snaplocks.
- ▶ **Reversible decks** - this gives you the option of having two different deck fabrics or colors.
- ▶ **Deck size** - 1220mm x 2440mm and 1830mm x 2440mm.
- ▶ **Exclusive pop-up deck feature** - reverse decks without dismantling the stage set-up.
- ▶ **Solid construction** - rigid one-piece frame design that supports decks to spread the load evenly.
- ▶ **Easy to transport** - lower center of gravity when folded makes even the highest units easy to transport.
- ▶ **Recommended Height** - 460mm/610mm/760mm.



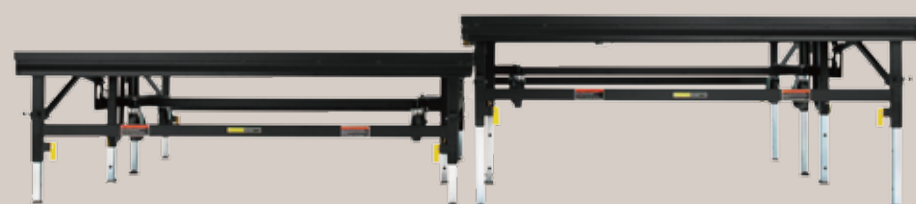
Moving



Reverse Deck



Setup of Three Different Heights



MORE DETAILS



A spring assist pop-up feature assists in the deck reversal without dismantling a stage set-up.

Overlapping of decks in the riser set-up eliminates the possibility of chair legs sliding through. No additional chair stop required!



The stage sections lock together with built-in unit-to-unit connectors when units are at the same or varying heights. NO cords, Velcro, straps, or tape are necessary to hold stages in place.

HARMONY CHORAL RISERS

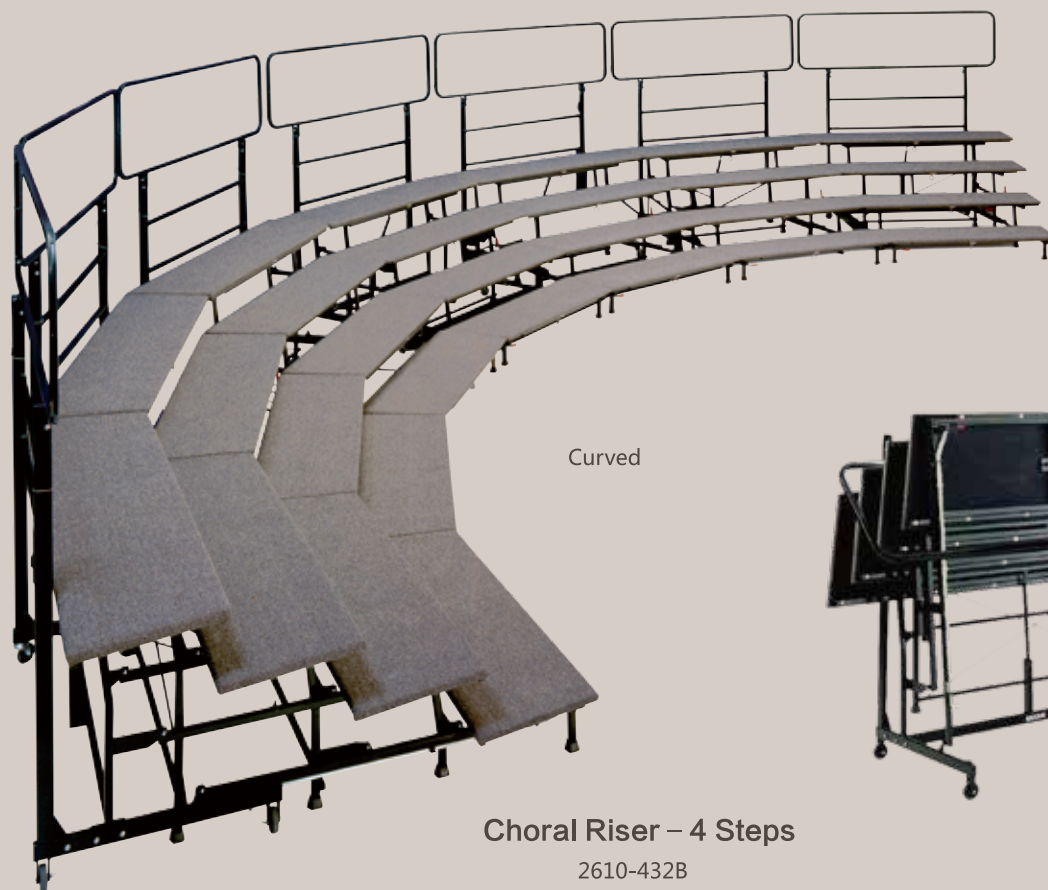
For choir performance, or unique group picture taking; the SICO choral risers are always ready to be moved into action.



Choral Riser – 3 Steps

2610-324B

- 3 step and 4 step designs.
- **Functionality** - folds into storage position, rolls on its own wheels for easy transportation.
- **Need a line or curve, flip a deck** - the SICO exclusive deck lock allows quick and easy changes of layout, as you can change the deck position instantaneously.
- **Attached top row security rail** - rail cannot be left off by accident. One-inch (25mm) deck overhang reduce the chance of accidents, and there are no gaps between unit for heels to slop through.
- Shipped fully assembled.



Curved

Choral Riser – 4 Steps

2610-432B



Moving

PORTABLE DANCE FLOOR

Each panel is manufactured with superior craftsmanship, attention to detail, and many value added features. From small to gigantic setups our dance floor fits them all in no time.

- **CAM-LOCK positive lock system** - self aligns and positively locks the panels into place.
- **Aluminum metal edge strip** - tongue and groove aluminum strip protects panel edges.
- **Gold anodized border trims** - each trim piece is grooved to make it slip resistant.
- **914 x 914mm high quality panels** - tested durable materials to ensure long life.
- **Important** - each panel is manufactured perfectly square, which guarantees a perfect fit every time, allowing easier and faster setup.
- **High quality parquet** - solid wood inlaid parquet panels protected by a durable polyurethane finish of Natural Oak.



Dance Floor Caddy

Our caddy can hold up to 25 panels and necessary trims, the large caster make it easy to move it around.

- Easy to load and unload.
- U-shaped caddies feature a walk-in design.
- Convenient slots - protect the panels and keep your component neatly organized.



1314-101B



TABLES - Conf-Semi App

An all in one table with folding modesty panel and folding legs, always ready to suit your different events.

Durable Top – MDF board with double sides melamine or laminate finish.

Modesty Panel – Conveniently folds and stores at the underside of the table, no tools are needed.

Stylish – Stainless steel double tube legs, for an elegant look.



The hidden modesty panel unfolds in seconds

PEACE AT MIND

With our Conf-Semi App Table your meetings not just look great, but the hectic change of a function room setup is a piece of cake...



Top Options

- MDF Boards with Melamine finish
- MDF Boards with Laminate finish
- Plywood with high quality durable vinyl finish

NEW *Our Light weight wooden sandwich board with honey comb core

*** All our tops come with our practically indestructible armor edge

CONFERENCE TABLES – LIGHT WEIGHT

In the banqueting one of the key for conference / seminar table setups is the speed converting the function rooms in various setups. So the tables must be light & stable, easy to handle and safe.

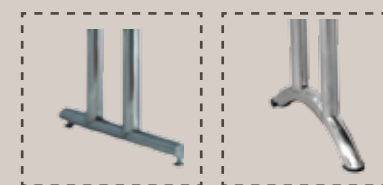
SST developed the ideal table, which not only looks great (linen free), but with the new aluminum frame and sandwich top, we were able to lower the weight by 7-9kg (depending on the style & size of the tables).



7B11831xxA

Advantages of our NEW light weight table

- Our new table is much lighter than the ordinary conference tables, due to our changes in the top and the top frame.
- New materials and technology make it not only lighter but also long lasting
- Our high quality laminate finish is more scratch resistant, which helps to prolong the life of this table
- We have added various new laminate colours and patterns to ensure it can fit any interior designs
- Our universal top frame gives you the option to choose from different modesty panels (you can decide what system and style suits your operation best)



*Straight

*Arched

-You can choose between the straight or arched stainless steel base leg which come in a polished finish. If you prefer a black powder coat or any other colours, then we will change to steel legs.

Different standard sizes are available:

- 7M11831xxA 1830 x 460 x 760 mm
- 7M31831xxA 1830 x 600 x 760 mm
- 7M21831xxA 1830 x 760 x 760 mm



Legs and modesty panel fold neatly inside the table frame

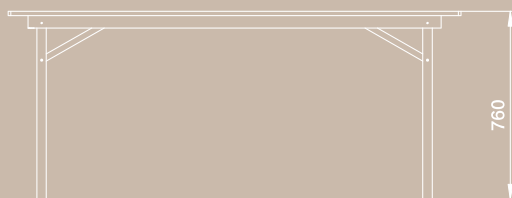
SEMINAR TABLE

Our laminated tops with Armor-Edge protection, black powder coat frame and stainless steel folding legs allow using this table without any linen.

- **Top edge** - protected by its practically indestructible Armor-Edge.
- **Easy transport and storage** - fits on the standard rectangular table trolley for easy transportation, can be stacked up in storage area, hence less area is used.



7S-21-183-1-xx



TOP OPTIONS



MDF Core
with Melamine Paper



MDF Core
with Laminate



Plywood core
with high quality durable
vinyl top



Sandwich Top
with Honey comb and
Laminate

Optional Modesty Panel - can be attached and removed without any tools or screws.



*** The stainless steel legs are also available in steel with powder epoxy coat.

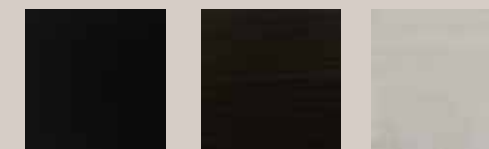
Legs fold easily and neatly inside the frame, which allows smooth stacking up for storage.



MELAMINE COLOR OPTIONS



70 Brown Oak 72 Black Oak 73 Applewood 74 Light Grey



75 Black 77 Black Walnut 78 White Oak



MOBILE CONFERENCE TABLE

YOUR CHOICE FOR MULTIPLE APPLICATIONS

Great for front of the house applications in the hotel, displays, registration and as catering table for special events. Perfect for seminars, conference tables, audio-visual equipment & computer set-ups, and much more...

- ▶ **Mobility** - needs no caddy, one person can easily roll this table into service or storage.
- ▶ **Top edge** - protected by its practically indestructible Armor-Edge.
- ▶ **Variety of top options** - different colors and materials available.
- ▶ **Top can be folded from left and right sides.**

This mobile table is also great for smaller meeting rooms (10-20 persons). Combined it makes elegant setups for different board room style settings, which follow International standards.

The optional integrated power management makes the use of electrical equipment such as lap tops easy and comfortable for the participants of the event.

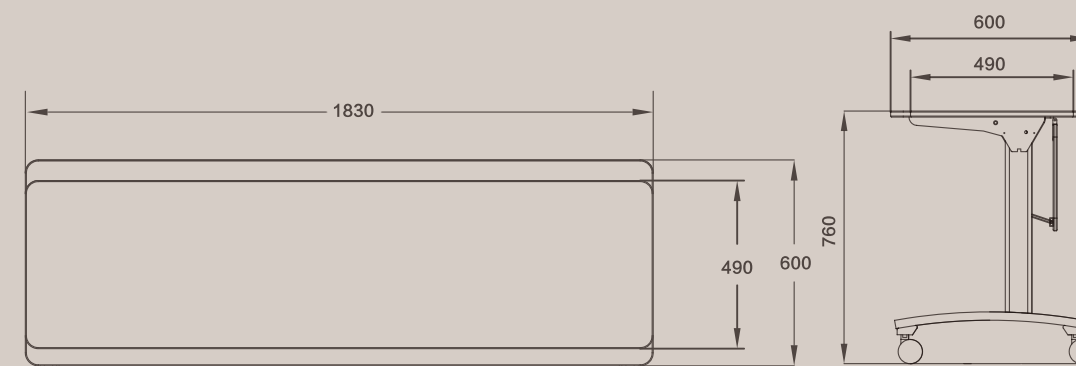


7C-3J-183-1xx
(1830 x 490 x 760 mm)

7C-3S-183-1xx
(1830 x 600 x 760 mm)

DETAILS

Optional Power Management
Build-in Sockets (For 1830 x 600mm model only)



Easy storage - tops fold and tables nest together

FOLDING LEG TABLES

A superior folding leg table for all your banqueting needs

All that you expect from a BQT table;

QUALITY - DURABILITY - EASY OF USE

Folding Leg Table – Round

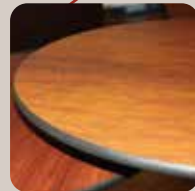
3cm (1.2mm) painted black top frames are attached to the top with expansion rivets, not screws which can work loose over time.



Plywood Core (15mm) with high quality durable vinyl sheet.



MDF Core (18mm) with its practically indestructible Armor Edge.



Aircraft lock-nuts & bolts are used at all pivot points. Remain tight and can't work loose.



3cm (1.2mm) painted black legs are fixed height with a plastic, nonadjustable glide.



Tough and flexible clip holds the leg in the folded position.



Tough and flexible leg stops protect the finish on the legs when tables are stacked for storage.

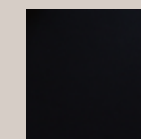


Positive lock ensures engagement in fixed position.

VINYL COLOR OPTIONS



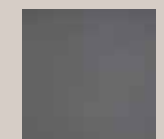
60 White



62 Black



64 Light Grey



66 Grey

SICO-SST REDEFINES THE STANDARD FOR FOLDING LEG TABLES

Top Options with Armor-Edge



Plywood Core (15mm)
with high quality durable
vinyl sheet.



MDF Core (18mm)
with melamine paper-finish.



Top Option with PVC T – molding Edge



Plywood Core (18mm)
with foam and PVC sheet.



Folding Leg Table – with Handle

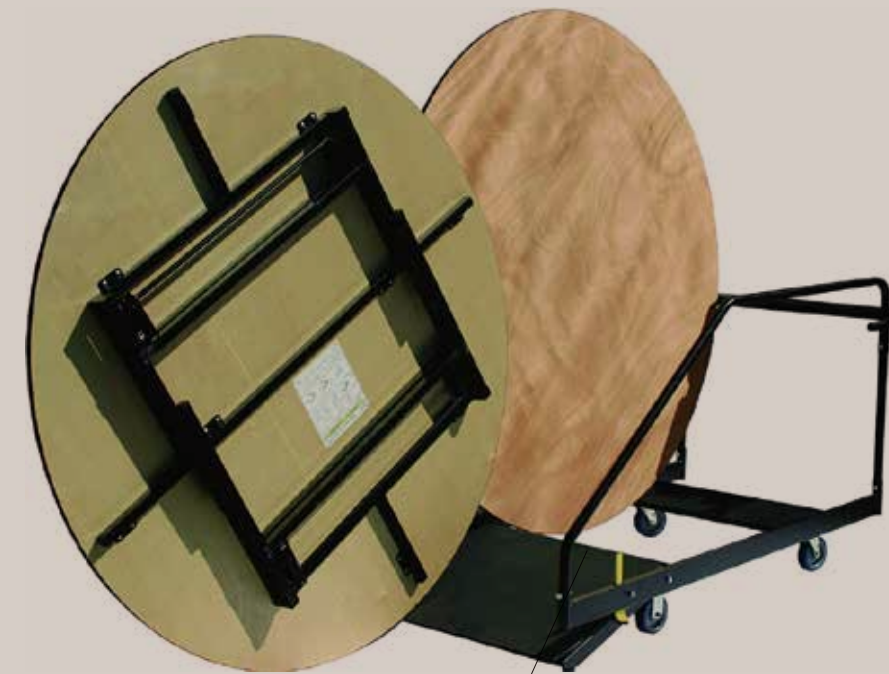


All 450mm wide tables can
come with an handle for easy
carrying.



Table Trolley Deluxe – for Round Tables

Easy to roll tables on and off caddy with integrated ramp.



OC22B

The integrated ramp makes loading and unloading of tables easy. Step on the ramp to lower it, which also will activate the brake and make the trolley stable. To release the brake and raise the ramp you simply push the yellow handle.

DETAILS



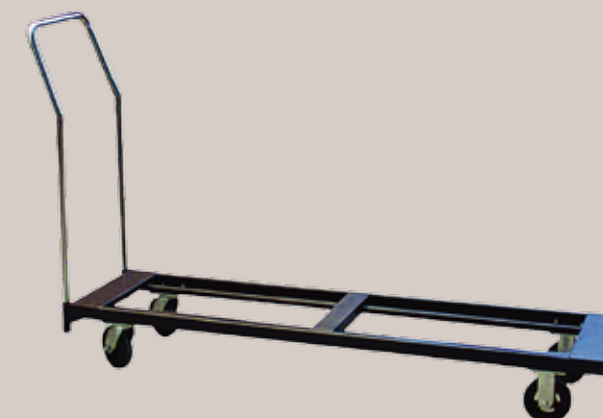
Holds 8 tables securely
with nesting blocks.



Ramp release;
Unlocks the brake;

Table Trolley – for Rectangular Tables

(Holds 10 Tables 760/ 910mm width or
20 Tables 450mm width)



OC11B

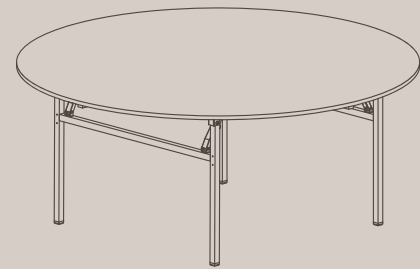
Table Trolley Standard – for Round Tables

(Can hold 8 pcs, up to Φ 2000mm)



OC21B

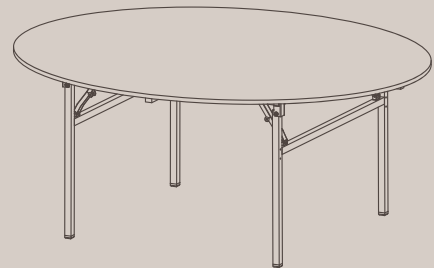
TOP OPTIONS AND SIZES



Folding Leg Table - Round

Model Numbers	Round Sizes
7-00-076-1xx	760 x 760
7-00-091-1xx	910 x 760
7-00-106-1xx	1060 x 760
7-00-122-1xx	1220 x 760
7-00-153-1xx	1530 x 760
7-00-165-1xx	1650 x 760
7-00-168-1xx	1680 x 760
7-00-183-1xx	1830 x 760
7-00-200-1xx	2000 x 760***
7-00-220-1xx	2200 x 760***
7-00-244-1xx	2440 x 760***

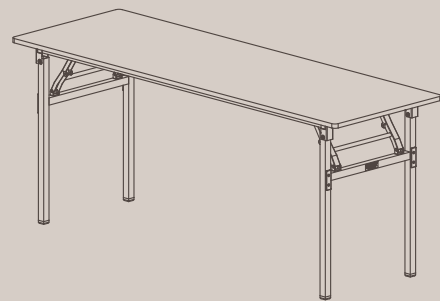
*** Not in all top choices available



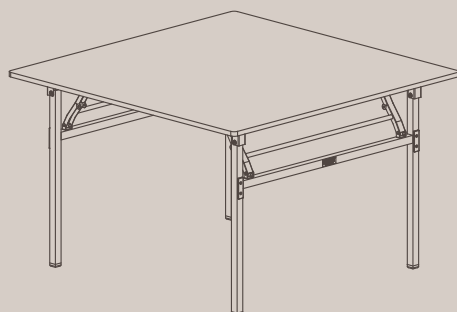
Folding Leg Table - Oval

Model Numbers	Oval Sizes
7-10-183-1xx	1830 x 1530 x 760

Folding Leg Table - Rectangular



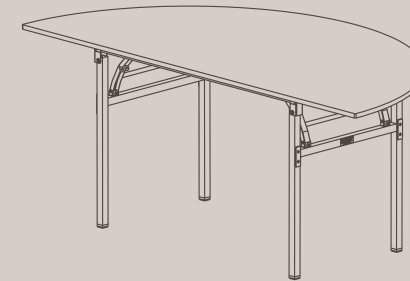
Model Numbers	Rectangle Sizes
7-21-122-1xx	1220 x 450 x 760
7-22-122-1xx	1220 x 760 x 760
7-21-153-1xx	1530 x 450 x 760
7-22-153-1xx	1530 x 760 x 760
7-26-153-1xx	1530 x 910 x 760
7-21-183-1xx	1830 x 450 x 760
7-23-183-1xx	1830 x 600 x 760
7-22-183-1xx	1830 x 760 x 760
7-26-183-1xx	1830 x 910 x 760
7-21-244-1xx	2440 x 450 x 760
7-23-244-1xx	2440 x 600 x 760
7-22-244-1xx	2440 x 760 x 760



Folding Leg Table - Square

Model Numbers	Square Sizes
7-30-076-1xx	760 x 760
7-30-091-1xx	910 x 760
7-30-106-1xx	1060 x 760
7-30-122-1xx	1220 x 760

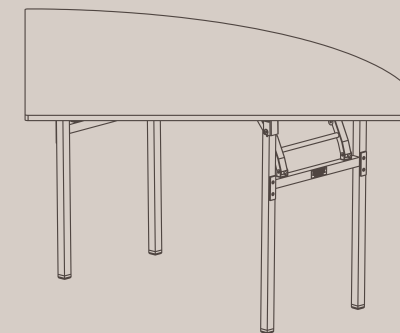
TOP OPTIONS AND SIZES



Folding Leg Table - Half Round

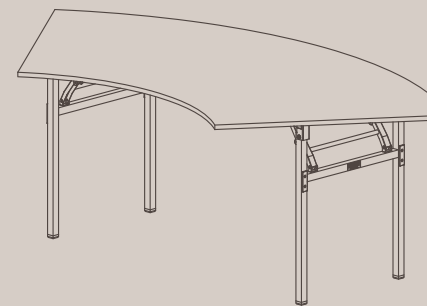
Model Numbers	Half-Round Sizes
7-40-153-1xx	1530 x 760
7-40-183-1xx	1830 x 760
7-40-200-1xx	2000 x 760
7-40-220-1xx	2200 x 760
7-40-240-1xx	2400 x 760
7-40-260-1xx	2600 x 760 ***

*** Not in all top choices available



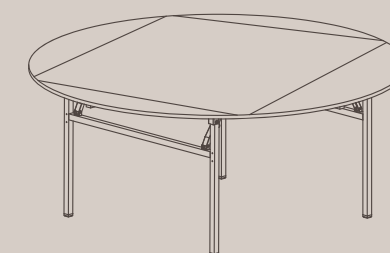
Folding Leg Table - Quarter Round

Model Numbers	Quarter-Round Sizes
7-50-076-1xx	760 x 760
7-50-091-1xx	910 x 760
7-50-130-1xx	1300 x 760
7-50-150-1xx	1500 x 760
7-50-160-1xx	1600 x 760



Folding Leg Table - Crescent

Model Numbers	Crescent Sizes
7-62-168-1xx	OR1675 x IR915 x W760 x 760
7-62-244-1xx	OR2435 x IR1675 x W760 x 760
7-62-320-1xx	OR3195 x IR2435 x W760 x 760
7-62-396-1xx	OR3955 x IR3195 x W760 x 760
7-62-472-1xx	OR4715 x IR3955 x W760 x 760
7-62-548-1xx	OR5475 x IR4715 x W760 x 760
7-67-183-1xx	OR1830 x IR915 x W915 x 760
7-67-259-1xx	OR2590 x IR1675 x W915 x 760
7-67-335-1xx	OR3350 x IR2435 x W915 x 760



Folding Leg Table - Round (Square)

Model Numbers	Round (Square) Sizes
7-90-122-1xx	Φ1220/ Sqr 920 x 760

FOLDING TABLES WITH STOOLS

Your choice of a large variety of table sizes designed for any and every lunch environment.

- SICO has been manufacturing cafeteria tables since 1951.
- Our quality tables are used in school cafeterias in thousands of schools around the world.
- Quieter, safer environment. Eliminate noisy chairs sliding and banging together. No more aisles blocked or the horse-play that occurs with loose chairs.
- Tables can pay for themselves in as little as two years. Savings in custodial time alone will pay for the SICO tables in a short time.

Cuts clean-up time by more than half. Fold, roll, clean and reset in a fraction of time it takes to move, clean, and reset tables and loose chairs.



SICO tables are easier on your floors

Continually sliding chairs damage floors. SICO TC-65's rest on non-marking neoprene glides. Floors look nicer longer.

Serve up to 15% to 20% more people than tables and chairs in the same space. Separate chairs and tables require extra aisle space to slide out for entry.

Easiest-to-handle units. The floating fold design includes torsion bar assist, making TC-65's the easiest unit to fold and roll on the market. Plus TC-65's nest together for compact storage.

The Senior:

10' (305cm) table with seating for twelve. Offers 20" (51cm) of table space per seat for maximum seating in limited space.



As a standard the steel understructure come in a black powder coat, optional it is also available in a chrome finish.

Color Options:

- The laminated table top comes in many different colours.
- The table top is protected by our practically indestructible "ARMOR EDGE".

BANQUET CHAIRS

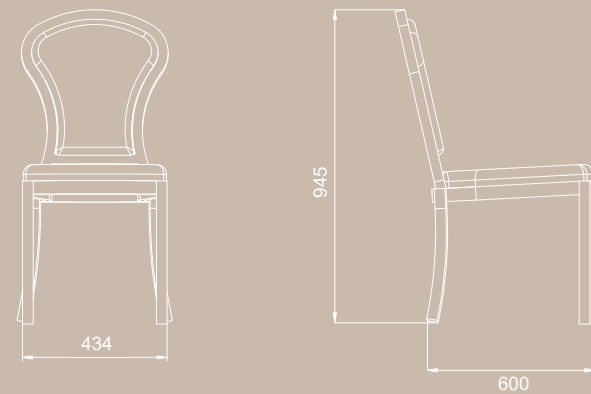
QUALITY – DURABILITY – FASIONABLE

SICO-SST BQT CHAIRS

Strong durable frames - steel and aluminum tube frames are available with a strong powder coat.

Fabrics - many designs & patterns to choose from.

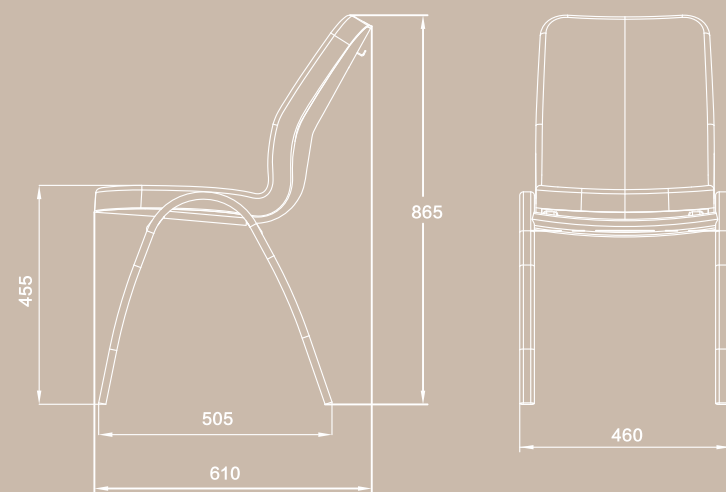
Stackable - depending on the model 6-10 chairs can be easily stacked up.



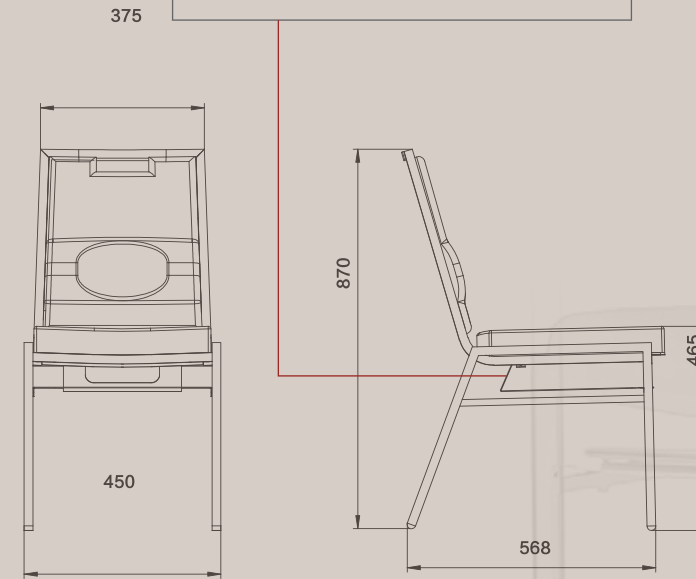
C12BA



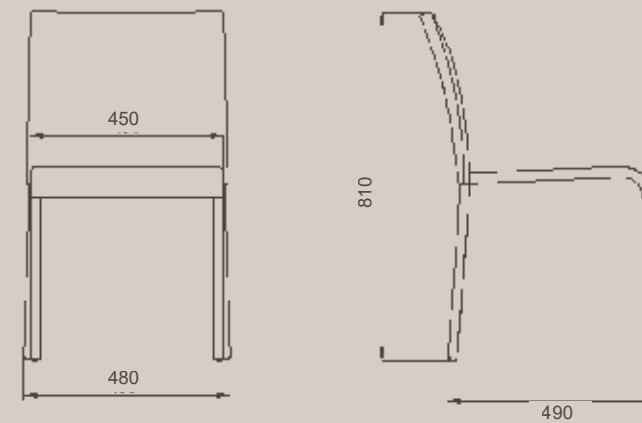
C10BI



SPECIAL FEATURE
Storage tray for I-Pad or lap top

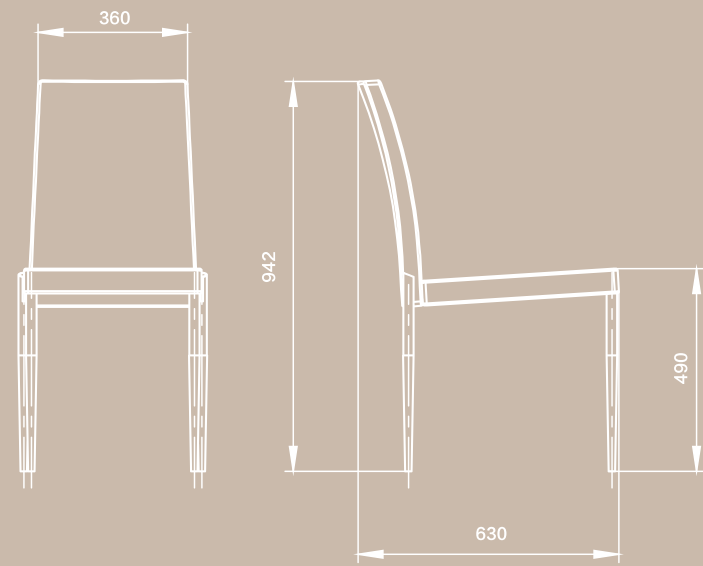


C27BA
C28BA



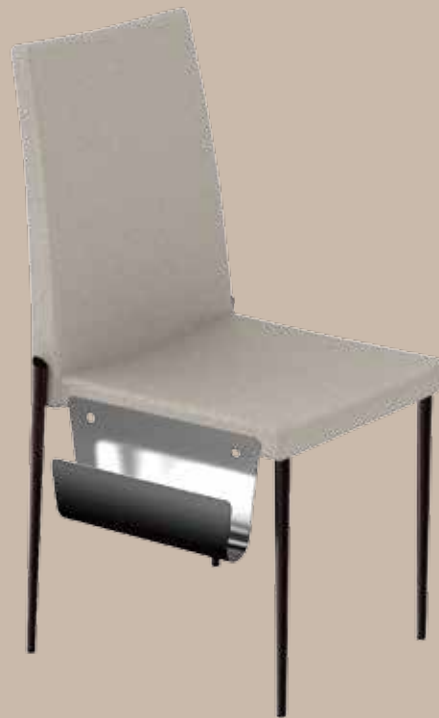
C23BA

BANQUET CHAIRS



C11BD

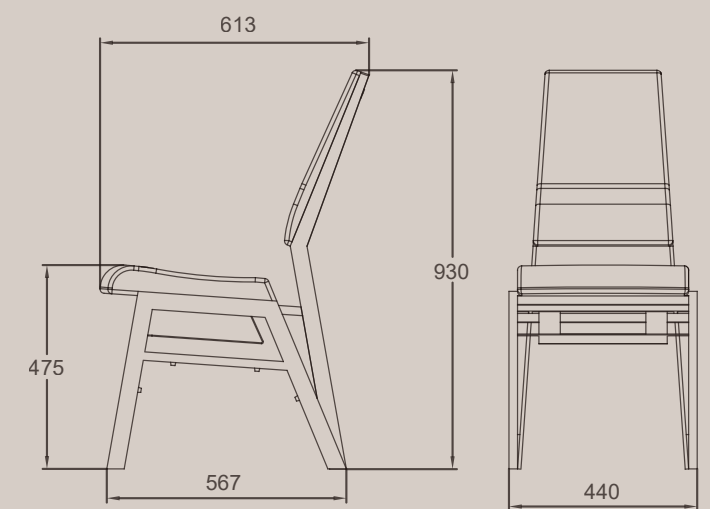
Chair Accessories / Add-ons



Deluxe High-end Conference Chair

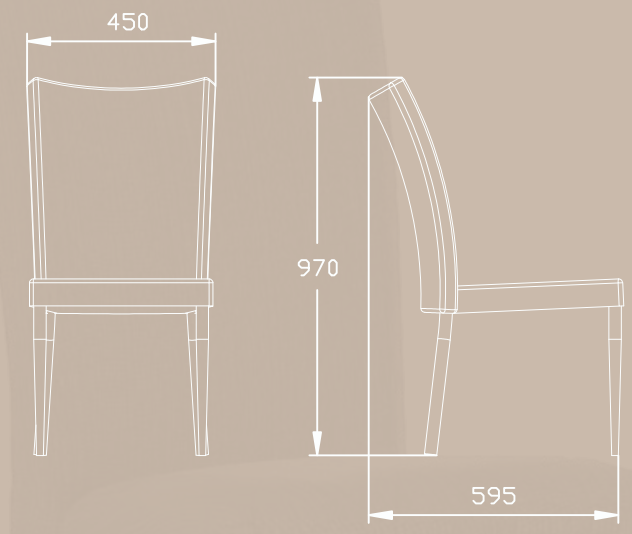
- Unit to unit connector (optional).
- Seat & row numbering (optional).
- Integrated hanger (at the back).
- Side compartment (optional)

Chair with side tray (optional)

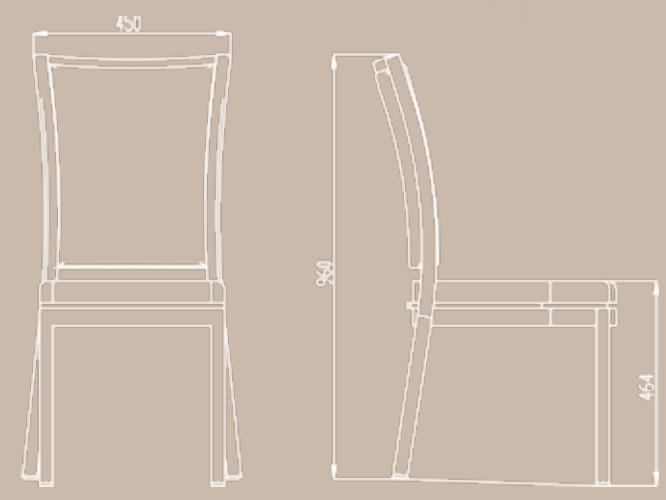
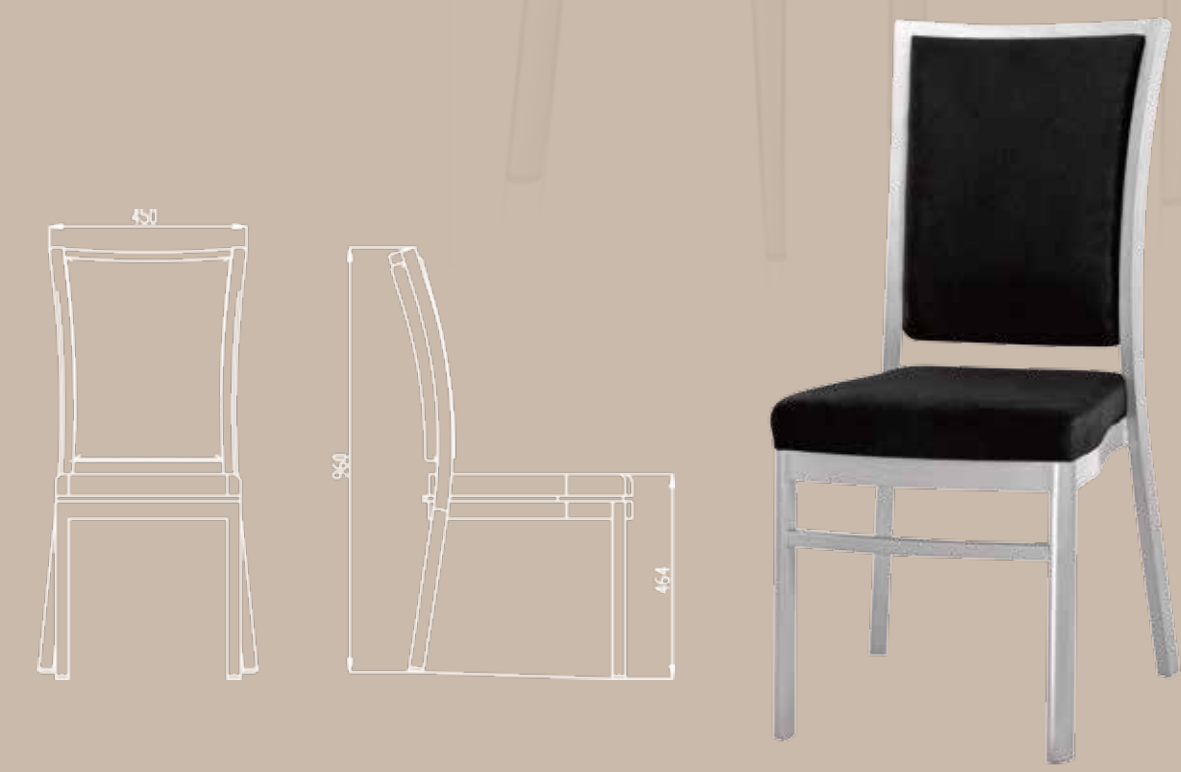


C07BH

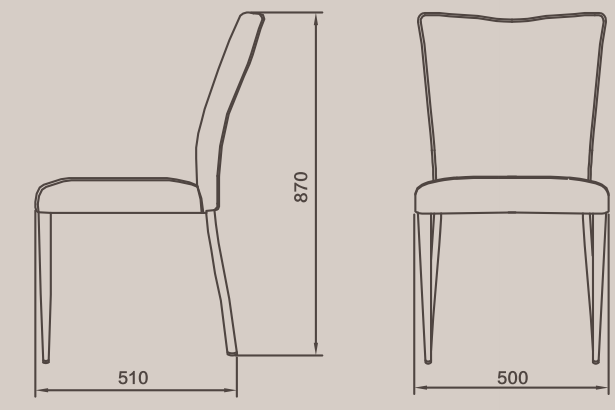
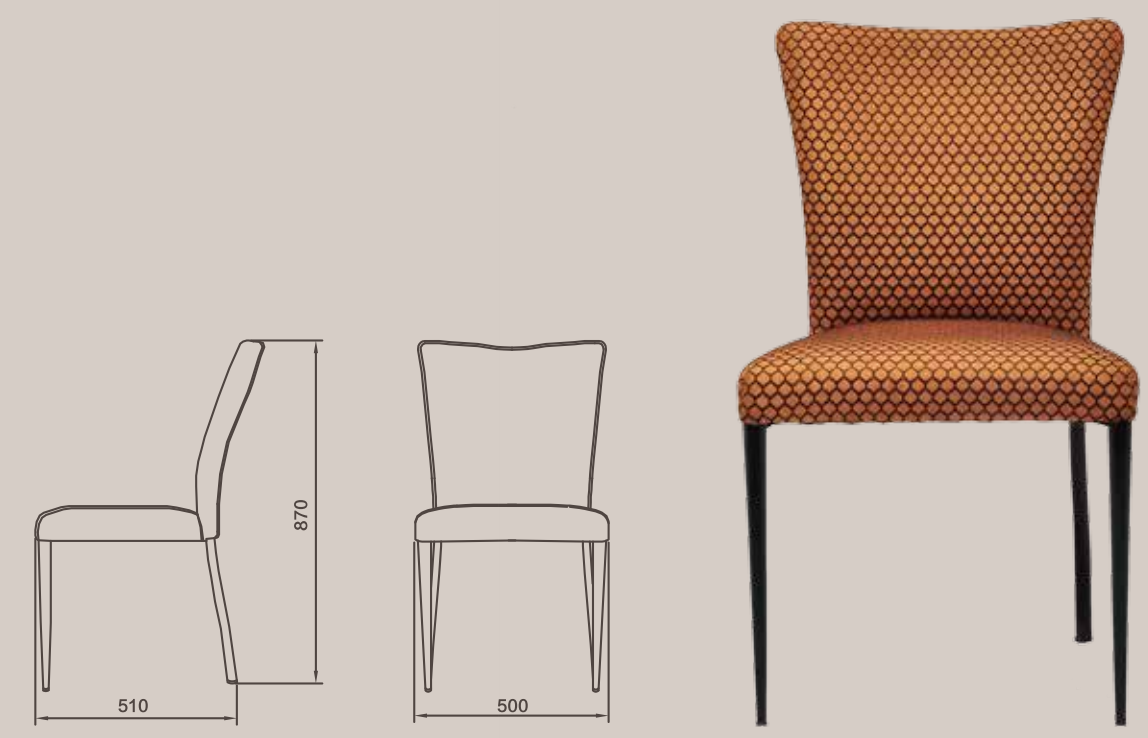
BANQUET CHAIRS



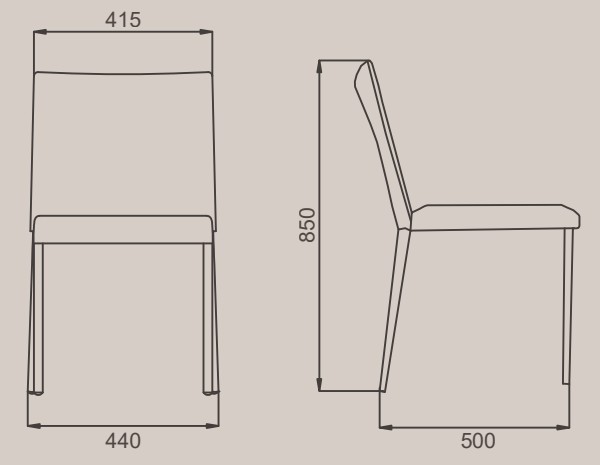
C09BX



C14BA

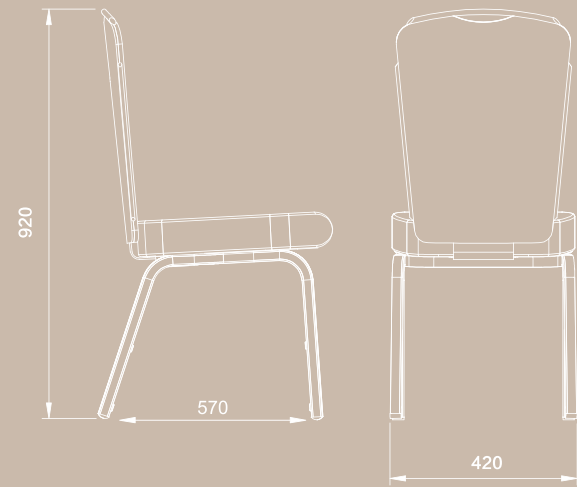


C21BX

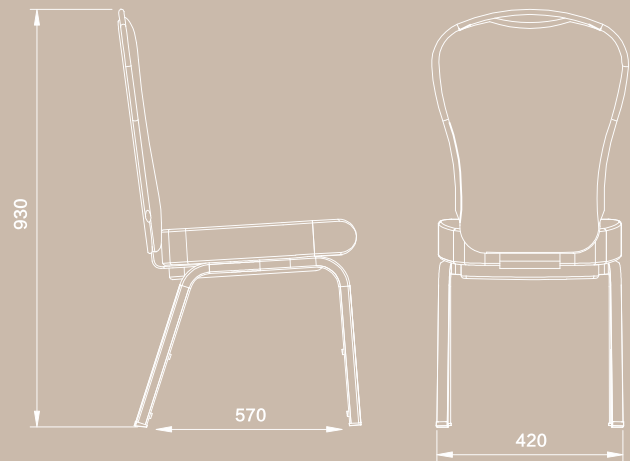


C31BE

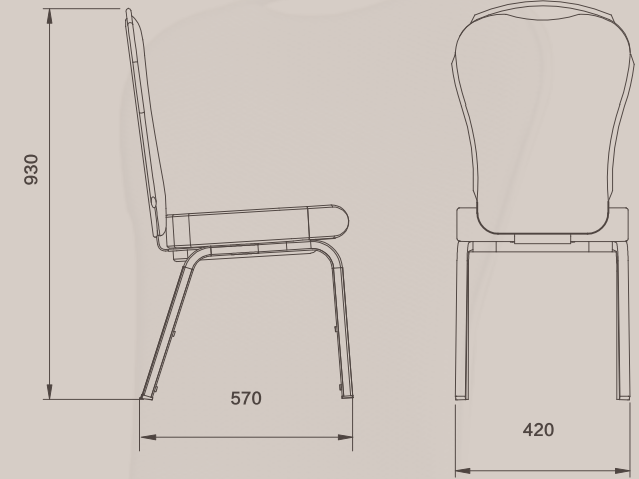
BANQUET CHAIRS



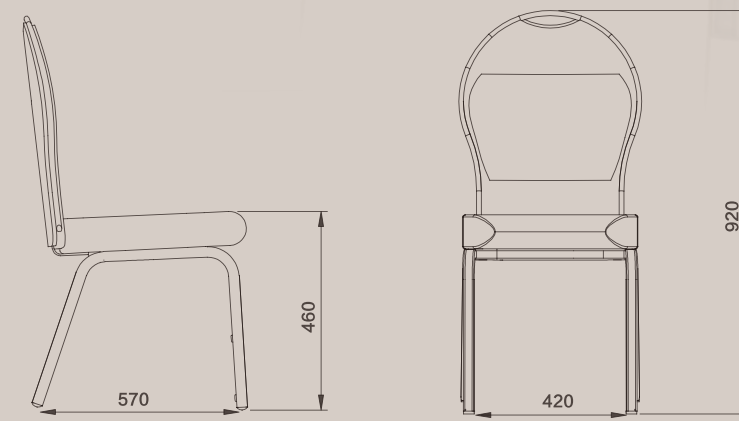
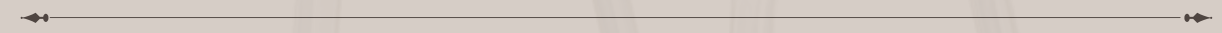
C01AB



C02AB

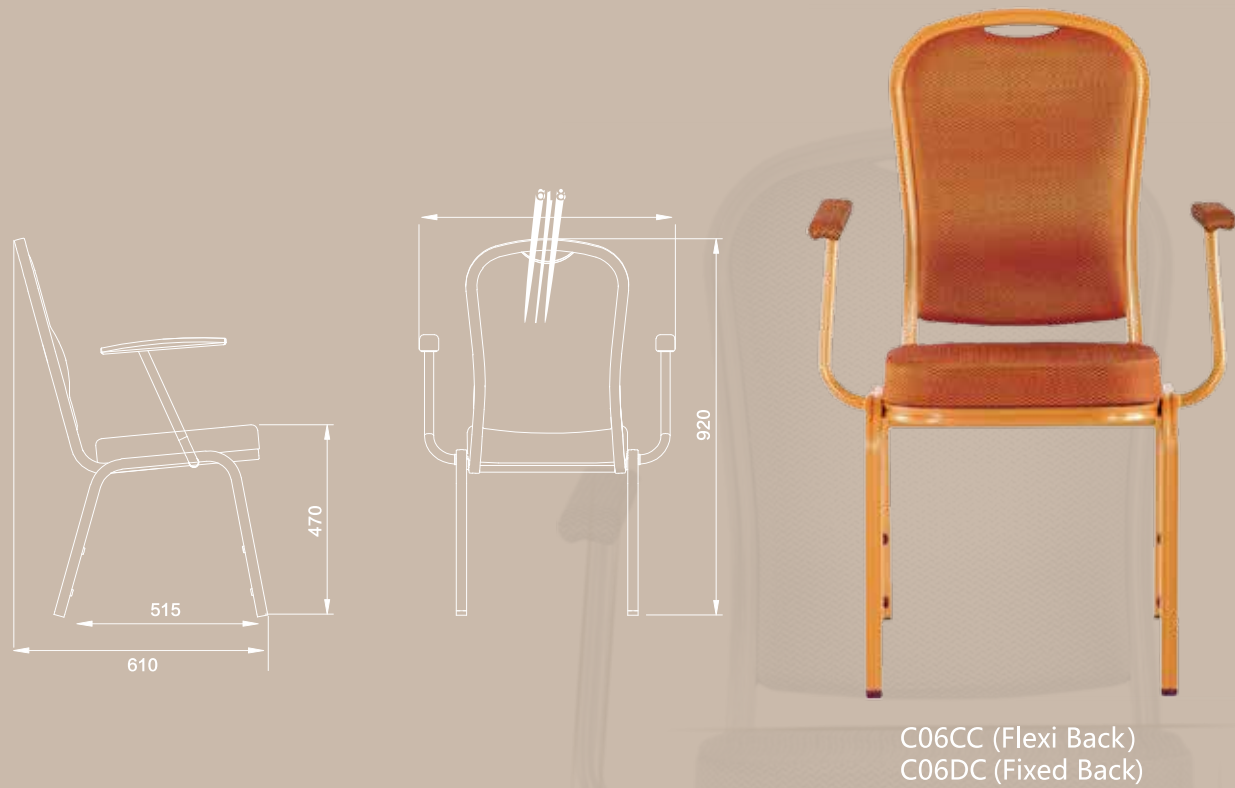


C03AB



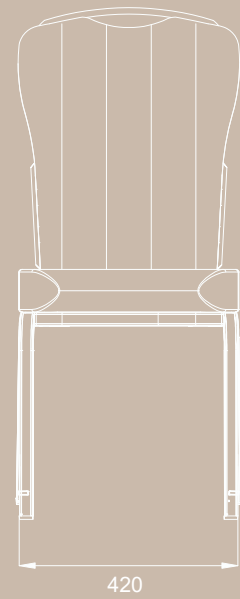
C04AB

BANQUET CHAIRS

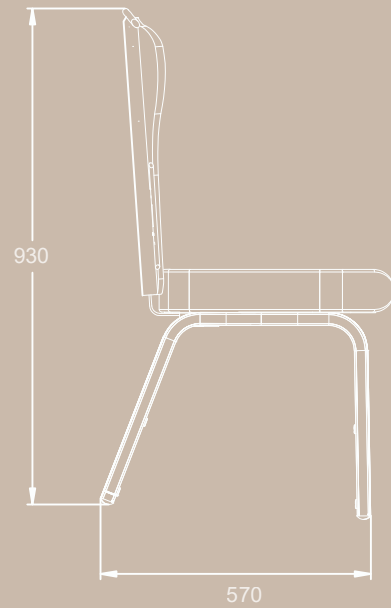




C30AB - A



420

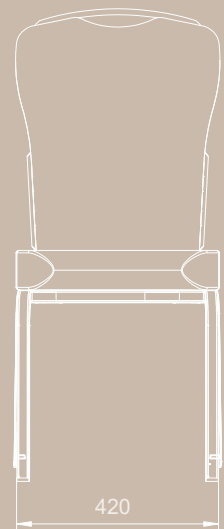


930

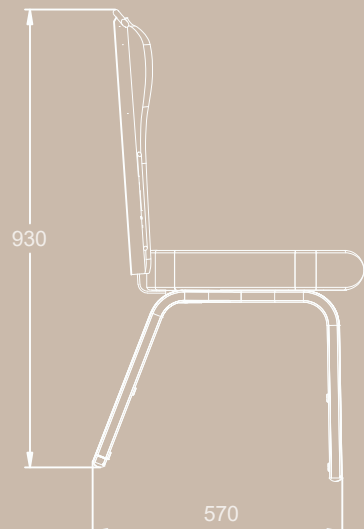
570



C30AB - B



420



930

570

PARTITIONS

We offer a wide range of foldable / fixed and mobile partitions; they come in different materials and shapes.



Partition (foldable)
PACF4



Partition (fixed with movable panels)
PADF3

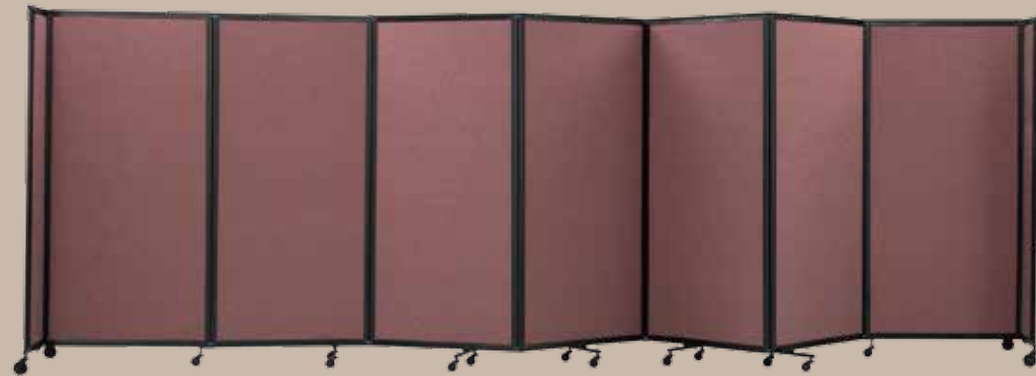
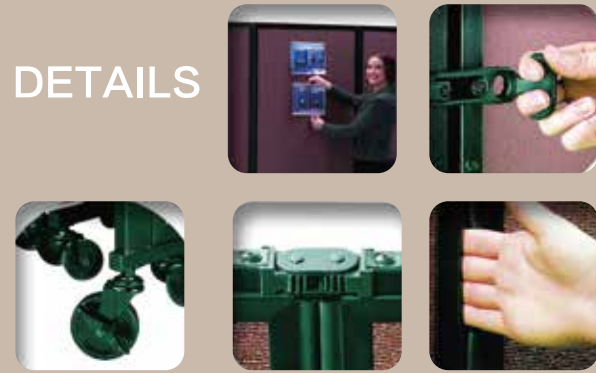
We can customize the pattern & design of the partition for you;
please contact our customer care center for more information

INSTA - WALL

MOBILE FOLDING PARTITION

- **Mobility & functionality** - rolls smoothly to the required area, folds and unfolds easily.
- **360 degree hinges** - allows the Insta-Wall to be rotated into any position.
- **No-pinch seams** - eliminate pinched fingers.
- **Sound absorbed** - Fabric & design reduce the background noise and give your customers more privacy.
- **Shipped fully assembled.**

DETAILS



Designer Panels - from a simple pattern to a whole skyline, we can custom-print on the fabric, making your partition unique for your property.

INSTA - WALL

CONVERT BIG ROOMS INTO SMALLER ROOMS QUICKLY & EASY



Hide service areas from guests



Subdivides media center



Minimize distraction by separating spaces



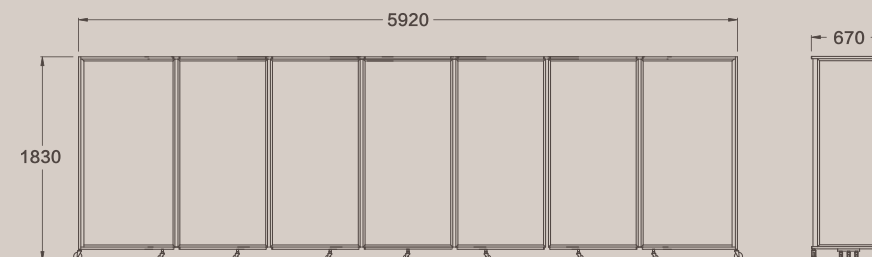
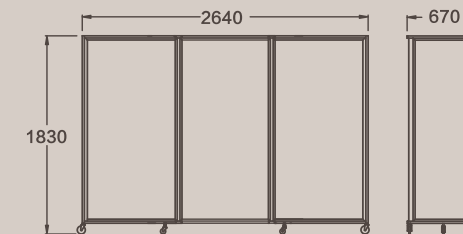
Create temporary storage areas



Create separate study space



Subdivides a meeting room



PODIUMS – High Tech (Fixed / adjustable Heights)



Front View

Plain Front Top Panel or Optional LED Logo

- with our computerized laser cutting machine we can easily add your logo with LED lighting system
- order the additional plain straight panel; for the events where your customer wants to have his own logo



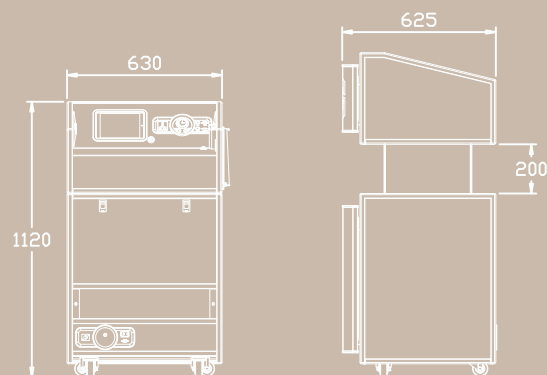
*** Side Tray (Optional)

Special Features

- **Build-in Watch** – assists in timing your speech
- **Aluminum main structure** (no visible wooden parts)
- **Durable ABS frame / edges** – adding to the protection of this podium
- **Build-in power & adapter management**
- **Microphone Jack** (Mic is not included)
- **Mobile phone holder**
- **USB Port** – to charge your mobile phone
- **Runs smoothly on its own four casters** (2 swivel, 2 rigid with brakes)
- **Reading Lamp (build-in)**

Optional

- Fixed or adjustable height versions are available
- Upgrade your podium with a build-in touch screen
- Customized Logo
- Various Colour Options
- Automatic contraction of power cable
- ABS Flip Tray – enables you to add a projector or simply use it for notes



Back View

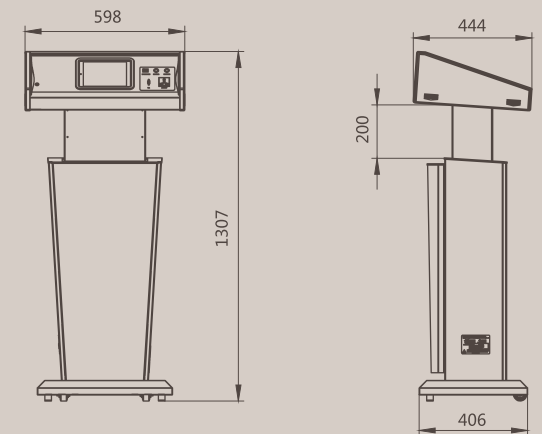
Besides our standard features, this podium also come with:

- ABS protection rim for top section
- Two rear casters for easy transportation
- Heavy-duty steel base – enhances the durability

- PGOEA – Fixed height no touch screen
- PGOEC – Fixed height with touch screen
- PGOEB – Adjustable height no touch screen
- PGOED – Adjustable height with touch screen

Customized Logo (Optional)

* Removable – magnetic attached



Top Configuration:

- Power Socket
- VGM Connector
- Microphone Jack (Mic is not included)
- Lighting System
- Touch Screen (Optional)

PODIUMS – Fixed & adjustable Heights

This stylish wooden podium is great for VIP presentations; either in fixed or adjustable height version available, it always leaves a great impression...



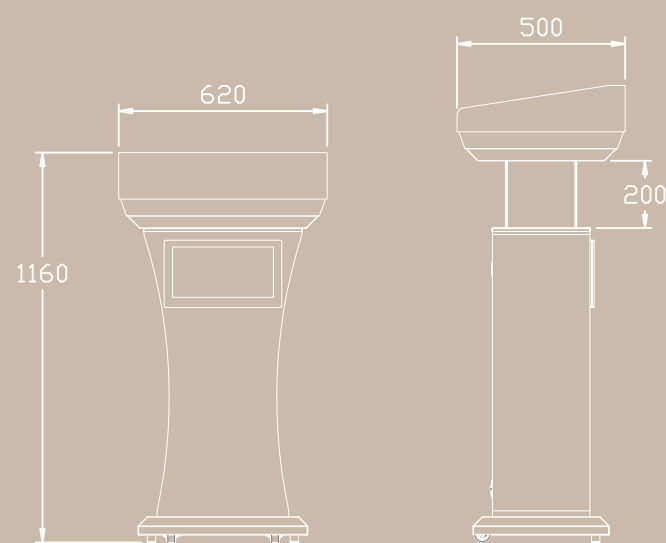
Podium - Front View
PIOAA

Design Features:

- **Wooden Structure** – plywood with wood grain veneer in paint & furniture lacquer finish
- **Durability** – strong steel base & decoration rim
- **Mobility** – the two rear casters allow you to move it with easy
- **Logo Holder** – Optional add-on

Top Configuration:

- Flower Tray
- Build-in Power VGA Socket
- Reading Light
- Micro Phone Jack (Mic is not included)



Podium Back - View

PODIUMS – Fixed Height

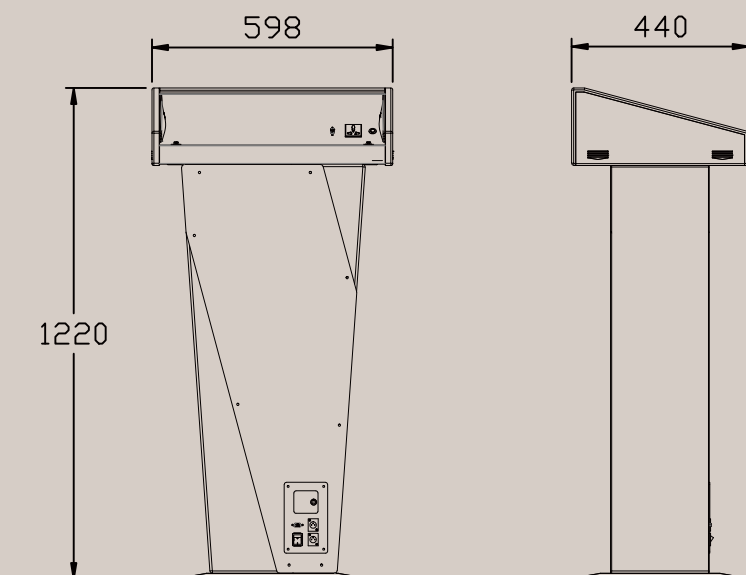
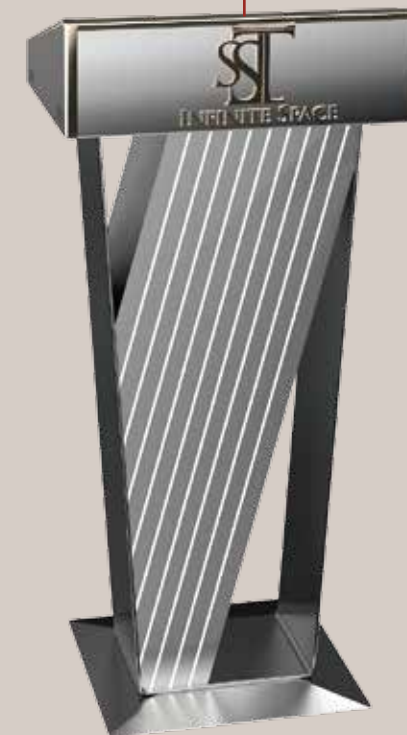
No visible wooden parts; the body finish is modern and durable.

Standard Features include:

- Aluminum Body, ABS Top, Steel base with powder coat
- Build in reading light
- Various outlets; power, VGA, microphone jack

Optional:

- Logos can be added – Customized
- Various colours to choose from



PHOAA

Aluminum Podium with Steel Base and ABS Top
*** LED Lighting with remote control

PODIUMS – Fixed Height

We offer a wide range of Lecterns; from traditional to modern styles, with various options and add-ons.

Our Standard Features include:

- Wood Structure with high quality furniture lacquer finish
- Aluminum / Steel Structure with powder epoxy coat
- Build-in power sockets and micro phone jack
- Reading Lamp (selected models only)

Optional:

- Logos can be added (different materials & finishes available)
- Various colours to choose from

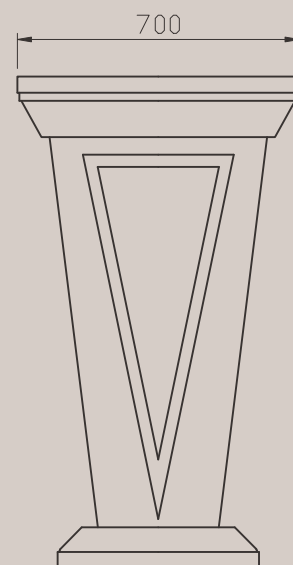


Slim Wooden Podium

PA0AA



Wooden Podium with Synthetic Leather Front Panel, and all Standard Features



PB0AA



F&B Delivery

From Kitchen to guest, our Products are built to be user friendly for staff and to enhance the dining experience for your guests.

- In-room Dining
- Service Bar
- Service Tray Stands
- F&B Trolleys
- Plate Warmer

“DELIVER FOOD –
THE WAY YOUR CHEF PREPARED IT”

IN-ROOM DINING

OUR ROOM SERVICE TABLES MOVE AS FAST AS YOUR BUSINESS. FROM HOUSEKEEPING TO ENGINEERING, THESE TABLES ARE USED TO DELIVER MORE THAN JUST FOOD.

From kitchen to floors; OUR ROOM SERVICE TABLES are easy to use and give your guests a comfortable in-room dining experience.

- **Superior construction** - heavy self-cleaning hinges and aircraft lock-nuts are used.
- **Swivel castors and vinyl-coated PVC rack** - tables roll smooth and quietly.
- **Retractable bar** - holds table leaves in place when table is fully flat.
- **Armor-Edge** - seals the tabletop for sanitary purposes and allows easy clean-up.
- **Tamper proof expansion rivets** - fastens tabletop firmly to the frame.
- **Seating capability** - comfortable seating for four with oval shape tables that won't crowd your guests. The center leg design gives extra leg room.
- **Table tops fold vertically** - nest to reduce storage.



Nesting



Tri-fold Room Service Table

- **Exclusive SICO design.**
- **Folding leaves** - folded down for transport out for serving, and then locked in the upright position for return to the kitchen greatly reducing spillage and breakage.
- **Oval and Square Tops available.**
- **Frame finish** - polished stainless steel or black powder coat.

Bi-fold Room Service Table

- **Folding leaves** - folded down for transport out for serving.
- **Oval and Square Tops available.**
- **Frame finish** - polished stainless steel or black powder coat.



FOOD WARMER (ELECTRIC)

SICO Food Warmers are the key to serve in-room dining at the right temperature.

- **Present food hot from the kitchen** - without overcooking or drying out.
- **Energy efficient** - fully insulated to retain an optimal holding temperature.
- **Easy to care for** - exterior is stainless steel or black vinyl coated, interior is aluminum. Clean quickly and easily.
- **Easy to handle** - top handle stays cool. Inserted side handles allow easy placement on room service trolley.
- **Easy to use** - simply plug in and turn on, each unit has its own built-in thermostat to keep the temperature at the optimum level.
- **All riveted construction** - increased durability.



3918-600-AN
Stainless Steel Finish (External)



3918-600-BLN
Black Finish (External)

Food Warmer with Temperature Gauge

NEW – our Food Warmer Boxes can come with optional temperature display

- It assists to see the inside temperature, so that you know when the box is ready.
- The temperature is set and controlled automatically.
- After plugging the Food Warmer in; it will heat up to 75°C and guarantee to stay between 75-85°C, which is the ideal temperature to transport hot food.
- For deep cleaning, simply remove the back panel and clean the body with hot water and any food safety approved cleaning fluid.
- Ensure before you clean the Food Warmer, that it is unplugged.



3918-600-ANT
Stainless Steel Finish (External)

3918-600-BLNT
Black Finish (External)



Food Warmer Box Caddy

- Holds up to six food warmers.
- Available in stainless steel or black powder coat.
- Mobile Transport - rolls smoothly to where its needed.



3909-200

F&B TROLLEYS

Simplicity and elegance are the main features in this design, which comes with high quality stainless steel legs in hairline finish and a protection coating. The special coating applied make it easy to clean with a wet cloth and maintain the original look as it was new.

FA0AA
Multi-Purpose



SST-Carving Trolley

- Can also be used as a multi-purpose trolley; it is ideal for presenting roast BJ Duck and slice it in-front of your guests, for any hot holding food service or a good addition to a hot buffet line. The removable heating lamp gives you even more options of putting this unique trolley in action.

FA0AE
Carving
(with Heating Lamp)



FOR ADDITIONAL TROLLEY CONFIGURATIONS,
PLEASE CALL OUR NEAREST SALES OFFICE

SST-Cooking Trolley

- This trolley comes either with an induction cooking plate or a single gas burner to suit all your operational needs. Both of them are easy to operate and they will enhance any show cooking in-front of your guests.

Gas cooking is ideal for out-door events and we recommend using the induction cooking for in-door functions.

FA0AH
Cooking (Induction)

FA0AM
Cooking (Gas)



FA0AC
Dim-Sum
(Steam Hot Holding)



Our stylish Service Trolleys come in various top configurations, to cover all the operations in your outlets.

Caster Options

Standard

Superior



Deluxe



Enhanced value with the elegant look of this luxury plated binary casters, which also guarantee a smooth moving.



FA0AP
F&B Display
(Ice Well)



FA0AI
Chinese Tea

Customized Trolley Setups - Available upon request; please let us know what are your requirements and we will come up with a recommended top configuration.



FA0AO
Beverage / Wine

Caster;

Our Service Trolleys come with four solid swivel casters .

Optional:

Upgrade your Trolley with either our superior or deluxe casters, to suit your hotel / restaurant' s interior design.

Caster Options



FA0AQ
Dessert or Cheese

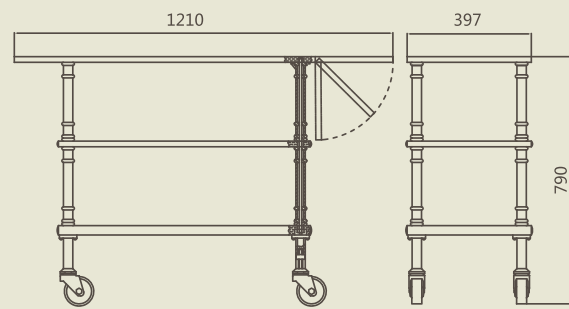


***This Trolley comes with a build-in compartment, for you to add your ice-packs (net included) for cooling your food displays

SERVICE TROLLEYS

Contemporary

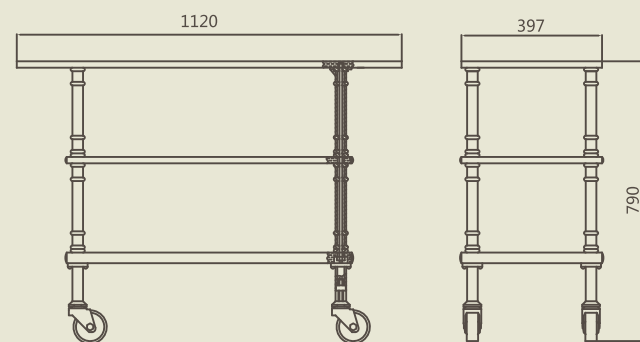
- Slim design with extra working space.
- Strong base tray to ensure stability and durability for the day to day use.
- Armor-Edge for protection.
- Specially customized gilded casters – they enhance the look of this elegant service trolley.



FB0AA



FF0AA



SERVICE BAR

Deluxe Bar – Comes in various colors, with a high quality lacquer finish. The front has an acrylic section with remote controlled LED lighting system.



BS0AX-B32
(with insulated ice cube compartment)

Features;

- Marble Service Top
- Stainless Steel Work Top
- None-marking Solid Casters

Options;

- Build in Ice Cube Compartment
- Sink with Drainage
- Designer Front Panel
- Speed Racks (Bottle Holder)

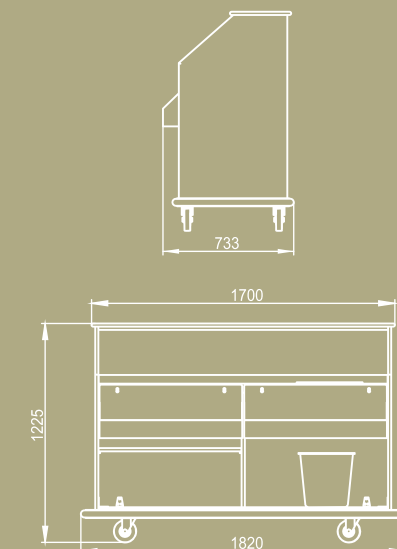
Standard Bar - Durable steel structure with melamine finished MDF panels, and an all-around PVC bumper, make this a long lasting product.

Optional:

Upgrade your bar with our extra long bottle holders.



BS1AX

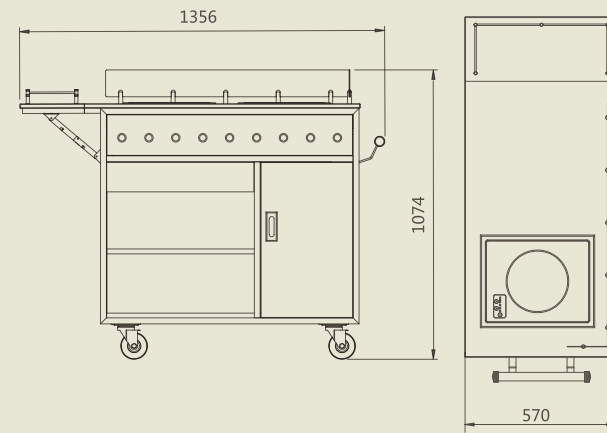


COOKING TROLLEY

Table Side Service made easy with our versatile range of trolleys; Flambé, Carving and Beverage Trolleys just to name a few...

All of our trolleys come in a high quality finish as you would expect from a SST product, which makes them long lasting.

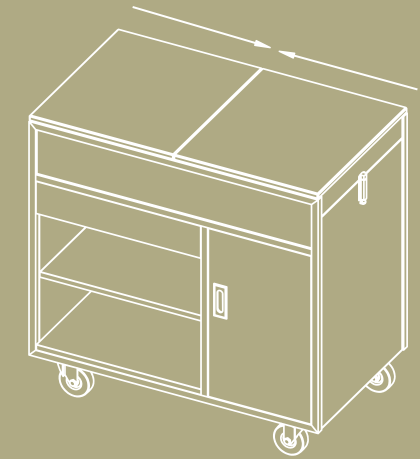
- **Durability** - MDF Panels with melamine finish; they can be easily cleaned and maintained.
- **Roll with ease** - all our trolleys come with Φ 100mm solid non-marking wheels, which make them move quietly in and out of action.
- **Different color options available.**
- **Brushed stainless steel frame** - protect all edges of this trolley.



FD01J – (One Induction Cooking Plate)
FDOAK – (Double Gas Burner)

Special Features

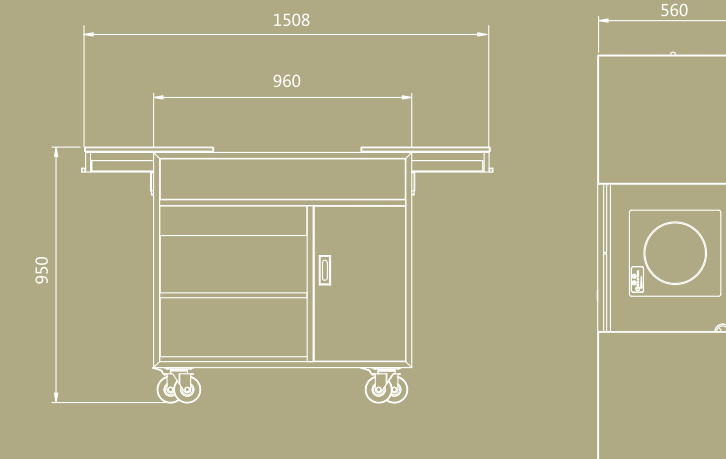
- **Foldable trolley extension** - adds additional working space when needed and saves storage space when folded.
- **Gas or Induction Cooking** – choose what is suitable for your operation.



FC0AJ – (Induction)
FC0AK – (Gas)

Open Top;
ready to cook

Multi-purpose use;
Use it as service or display trolley with the closed marble top. Simply open the top by sliding them to each side and you are ready for action.



OPTIONS

Induction plate



Gas burner





BUFFET TROLLEY - WITH BUILD-IN CHAFING DISHES

This elegant mobile buffet trolley was originally designed by SST in 2000. The creative look is very popular and still today asked for, by so many properties. Whenever we develop a new product, we consider the interior and the functioning; hence our designer came up with this designer trolley to suit many different styles of hotel, that is the reason why until now it is still in great demand.



PLATE WARMER

We have upgraded our classic plate warmers with new material, not just to give them a more modern look, but to make them long lasting.



- MDF structure with VCM sheet wrapping.
- Marble Top.
- Stainless steel corner tubes.

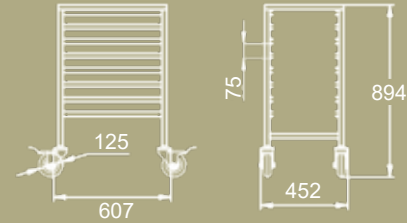
FE0AA
(Double Column)



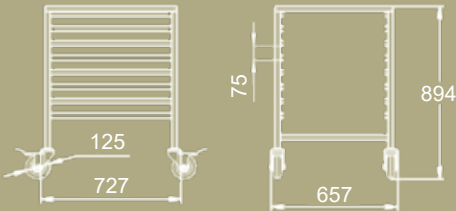
RFOIL-W0101
(Round Plate Warmer in "Venice" Design)

GN-FOOD PAN RACK TROLLEYS

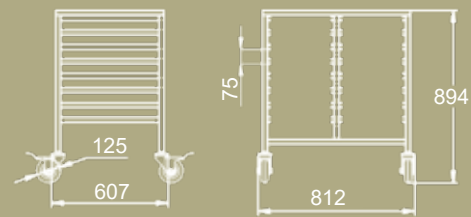
We offer a wide range of trolleys for GN1/2 and GN 1/1 food pans. They come in different heights and sizes to suit your needs



TRO-GN 1/1 8
OB101



TRO-GN 2/1 8
OB101

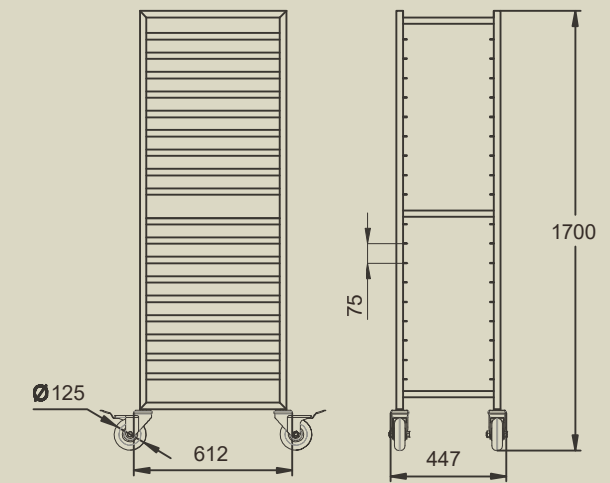


TRO-GN 1/1 8+8
OB201

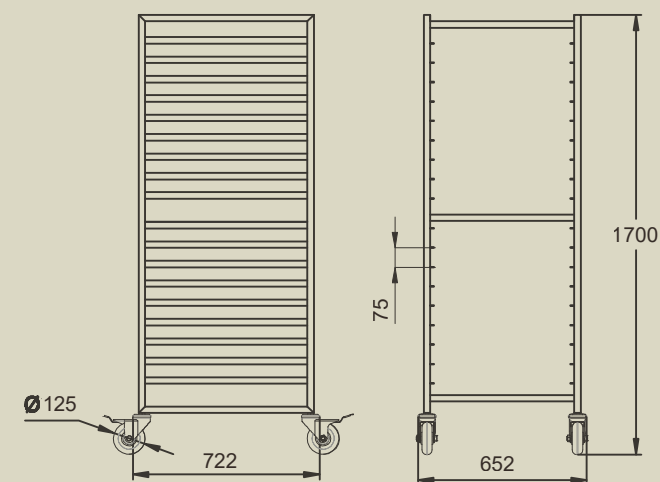


GN-FOOD PAN RACK TROLLEYS

They roll smoothly on non-marking solid casters (swivel). Optional we can add two brakes.



TRO-GN 1/1 16
OB101



TRO-GN 2/1 18
OB101

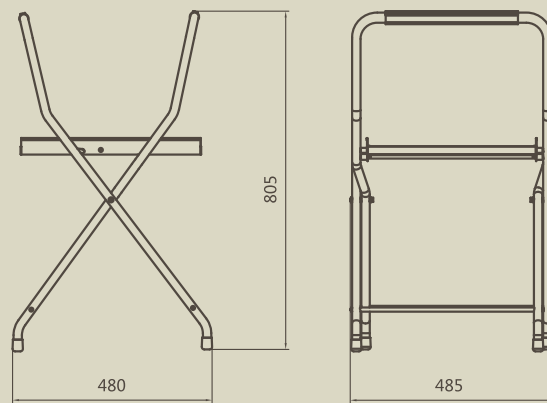
SERVICE TRAY STANDS

Tray Stand with Shelf (Polished Stainless Steel)

- Rubber Tube Cover to hold Tray - (Anti-slide and Noise-free).
- Easy for Cleaning.
- Foldable and Easy for Storage.



OB21A



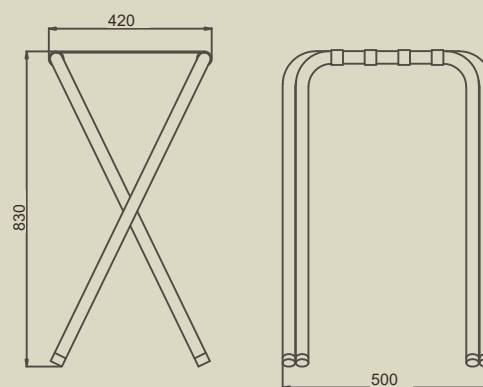
Service Tray Stands – Standard

- Nylon straps - for long lasting durability



OB31B – (S/S Paint Finish)

OB31A – (Stainless Steel)



Servicing the Housekeeping & Transportation in the Lobby

Our Carts and Trolleys are designed to suit the operation of your staff as well as to cover all needs for you to serve your guests better.

Our Mobile Sleeper is as good as it gets; our deluxe version comes with a comfortable pillow top mattress and guarantees for the perfect sleep.

SST Luggage Carts not only move smooth, there prestigious look and high quality finish will enhance your Hotel's Entrance and Lobby.

- Luggage Carts ➤ Housekeeping Carts ➤ Beverage Refill Carts
- Mobile Sleepers ➤ Linen Trolleys

**QUALITY SERVICE ALL THE WAY
BUILT TO LAST – ROLL WITH EASE**

LUGGAGE CARTS

CROWN DELUXE LUGGAGE CART

This unique design and its special features will enhance any front office area; a little extra to surprise your guests how well you take care their luggage.

Upgrade your luggage cart with this stylish options.



Customized 3D embossed logo, made of a solid metal piece.

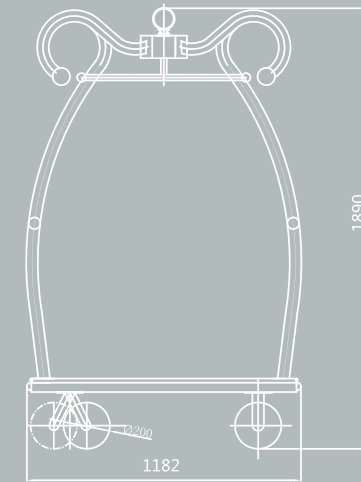


VPL128-PB



Our well proven stylish bumper (aluminum and black PE with white resin rim) comes optional with LED lighting.

Luggage Carts - Crown Deluxe Polished Stainless Steel



Move your customer's luggage with style...

- This elegant luggage cart comes in stainless or brass tubes with polished or brushed finish, and moves quietly on pneumatic wheels. (Optional you can choose non-marking solid wheels).
- All our 4 wheeler luggage carts come with our new improved bumper which gives you the option of adding rechargeable battery LED lighting into the white resin rim.



VPL128-PS



Standard Version

- Decorative ball and logo space.
- Optional customized logo.

Luggage Carts - Crown Deluxe Polished Stainless Steel

Optional Upgrades



Your signature logo; 3D embossed in solid metal.



Adding the optional LED lighting is an additional feature we offer.



VPL126-PS

Base Option

Choose from our standard carpeted base or upgrade to our NEW durable vinyl finish and optional add your logo.

Vinyl



Carpet



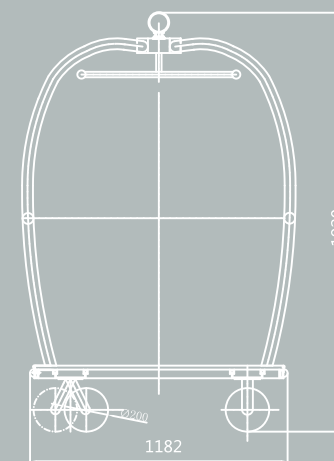
Standard Features



Elegant – Decorative ball & logo space.



Hanger Bar
Heavy-duty hanger bar allows ample hanging space (Standard).



VPL126-PB

LUGGAGE CARTS

- Choice of brushed or polished stainless steel and brushed or polished brass construction for strength, durability and professional appearance.
- Shipped fully assembled – no set-up time required.
- Various carpet color options available.
- Economical and Deluxe Designs – choose from our wide range.

Durable and long-lasting finishes
Choice of 5cm polished/ brushed stainless steel or brass construction.

Option:
Customized logo space available for your property name.

Dual 5cm push bars
for ease of transport.

66cm hanger bar
Provides ample hanging space for our guests' requirements.

Vertical retaining bars
for luggage protection.
Standard on all #VPL121 series carts.

Platform deck with reinforced frame
for durable and quiet handling.
Standard on all carts.

Extra wide carpeted surface
119cm x 61cm carpeted platform provides excellent storage space on all carts.

VPL121-PB

Fully wrap around protection rim – All our carts come with our NEW version made of aluminum, black PE with a white resin rim, and give you the option to add LED lighting.



Φ 200mm pneumatic wheels
Provide smooth and easy handling of the carts. (Grey non-marking cushion wheels are also available).



VPL121-PS



VPL124-PS



VPL125-PS



VPL127-PS

LUGGAGE CARTS – VARIOUS



VPL123

Three Carpet colors are available for VPL123.

- 240 Black
- 241 Red
- 245 Grey

NEW

This stylish protection bumper is now standard on all SST luggage carts, and comes with optional LED lighting.



VPL122



Options

TUBES



PB: Polished Brass



BB: Brushed Brass



PS: Polished Stainless Steel



BS: Brushed Stainless Steel

Carpet and Vinyl Top Colors



41 Dark Red Carpet



42 Coffee Brown Carpet



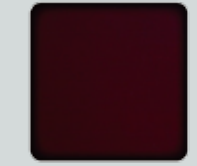
45 Grey Carpet



62 Black Vinyl



66 Grey Vinyl



68 Burgundy Vinyl

- Platform deck with high quality durable vinyl top for long lasting performance.

Wheels



Brass plated – pneumatic casters



Zinc plated – pneumatic casters



Zinc plated – solid casters



Brass plated – solid casters

HOUSEKEEPING CARTS

Elegant look with practical features;

Advantages

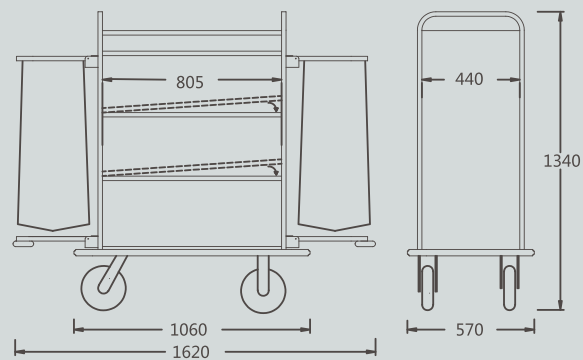
- Storage shelves – can be set at different heights.
- Linen bags – are easy to install and remove.
- Senior & Junior – this cart design comes in a standard and smaller version, so it is also suitable for narrow corridors and smaller rooms.

Optional Add-on

- Glass rack holder.
- Top tray cabinet with lockable roller cover.
- LED light rim with rechargeable battery. *** Switch on the lighting to indicate that the cleaning of the room is in progress.
- Holder for standard vacuum cleaner.
- Doors with smart lock.



HA1AA (Senior)

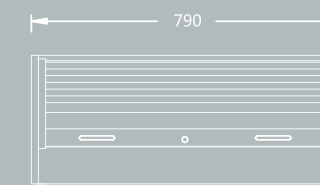


Cart with Doors (Optional)

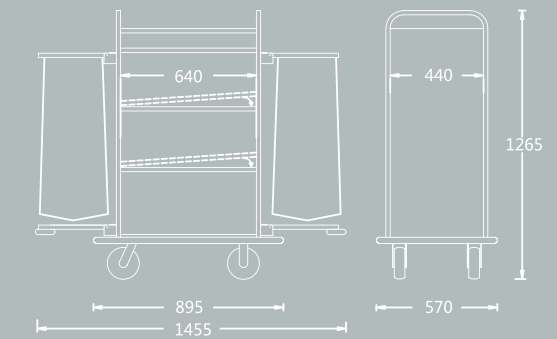
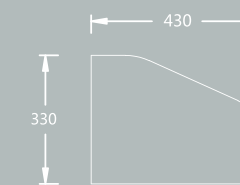


Upgrade your trolley with our top tray cabinet with roller cover (lockable) and organizer tray with adjustable compartment sizes.

Optional – LED lighting rim
With rechargeable battery to enhance the cart.

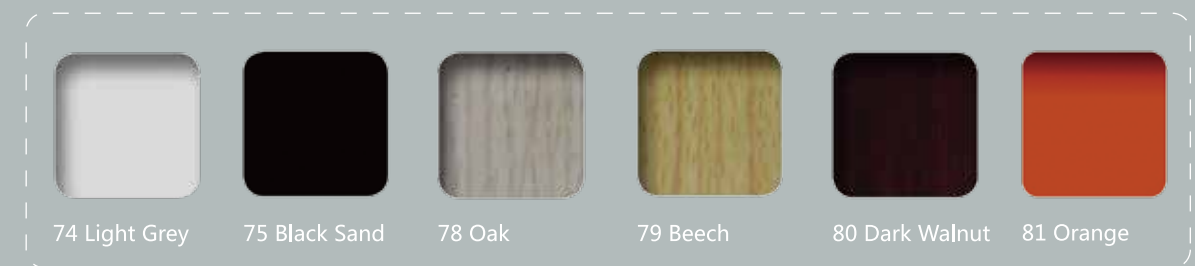


PJH001



HA1DA (Junior)

COLOUR OPTIONS



BEVERAGE REFILL CARTS

Refill Your Rooms In Style...



HC1AB

Doors with a numeric lock are a great optional add-on to our standard version.

Advantages

- **Shelf heights** – are set at different distance to suit all your needs.
- **Front rails** – easy to open and close, they hold all products in position during transportation.

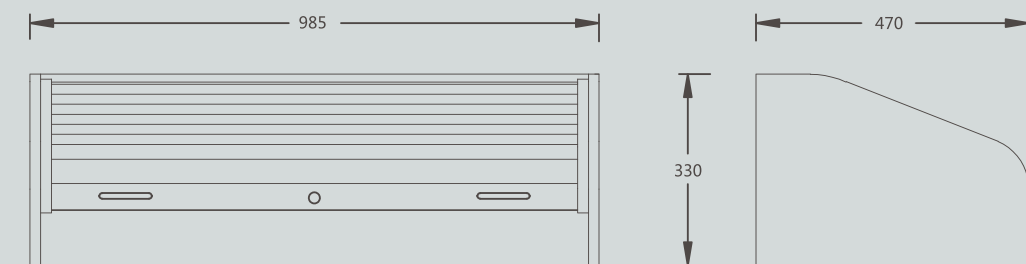
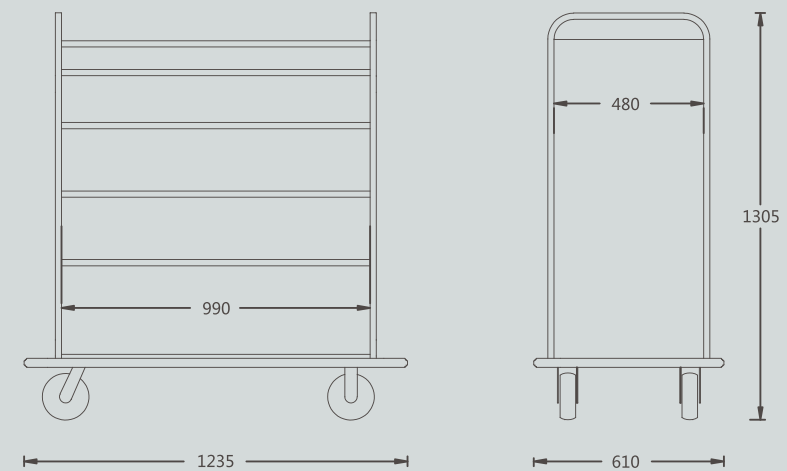
Optional

- Top tray cabinet with lockable roller cover and adjustable top tray organizer.
- Doors with number code lock.
- LED light rim with rechargeable battery.



ADD-ON

A large top tray cabinet – with amply space for all your mini bar refills. It has an easy to open aluminium roll over, which is lockable.



PJH005

MOBILE SLEEPERS

“WHEN A SICO MOBILE SLEEPER GOES DOWN, YOUR PROFITS GO UP”

Deluxe Mobile Sleeper

- **Pillow-Top Mobile Sleeper** - extra comfort provided by the pillow-top mattress.
- **Standard Mobile Sleeper** - standard mattress.
- **Add capacity with ease** - simply move a SICO Mobile Sleeper whenever needed.
- **Adjustable straps with fasteners** - straps hold pillow, bedding and mattress in place during transport and storage.
- **Durable laminated headboard.**
- **Easy to clean** - adds to the life of the Mobile Sleeper.
- **Long-lasting frame** - extra tough, powder coat finish.
- **No moving parts** - no maintenance worries.
- **Vinyl storage bed cover** - optional protective covering from dust and damage.
- **Easy to use** - lightweight design allows a Mobile Sleeper to roll quietly on four casters. Easy to lower and raise, and it conveniently fits through standard doorways.

BM1211PD



STANDARD MOBILE SLEEPER



BM1211P

MORE DETAILS



Rubber stop assists to put bed into upright position.



Four swivel casters allow bed to be easily rolled into action.



Luggage Rack

Foldable with heavy-duty nylon straps



OB51A - (Polished S/S)



OB41A - (Polished S/S)

LINEN TROLLEYS

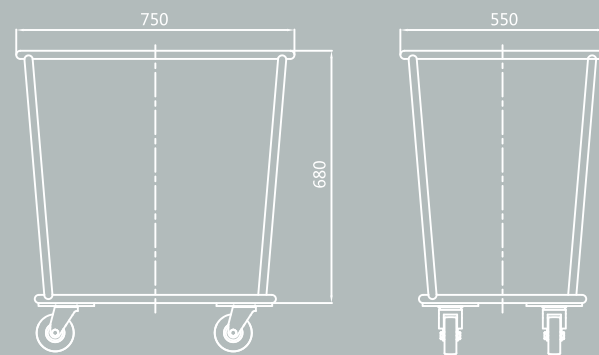


Linen Trolley

- Powder coated steel frame
- Washable nylon linen bag



HD0AA



LINEN STORAGE TROLLEY

Our Linen Storage Trolleys are built to last.

- **Strength and Durability** - strong tubular steel frame with powder coat, prolongs the life span of this trolley.
- **Optional** - comes with lockable doors.
- **Mobility** - diameter 200mm casters, make even a fully loaded trolley easy to move.
- **Protection** - full wrap around rubber bumper protect not only the trolley but also your corridors.

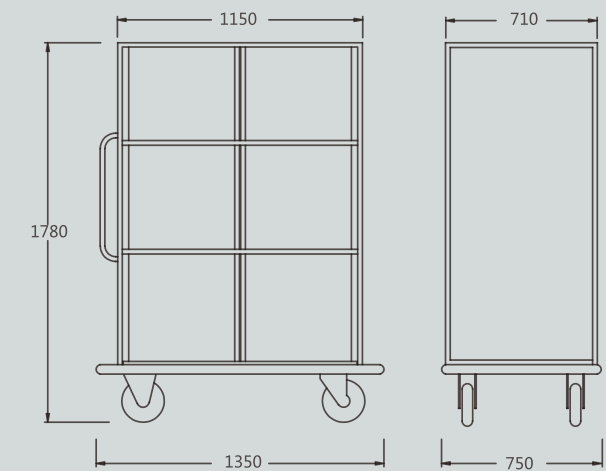


HE0AA

Three tiers of large laminated plywood boards provide excellent storage space.



HE0AB (With lockable doors)



INDEX

Code #	Product Name	Dimension (mm)	Page No.
MOBILE BUFFET STATION CONCEPT			1
RE1AA	Amadeus2000 Design		2
RT0AA	Crystal Design		11
RQ0AA	Light Star II Design		17
RY0AA	Yin & Yang Design		25
RU0AA	Multi-Flex Design		31
	Multi-Flex Modules		37/38
	Multi-Flex Endless Add-Ons		39
OCA1B	"Multi-Flex" Trolley for Front & Side Panels		40
OCB1B	"Multi-Flex" Trolley for Modules		40
OCC1B	"Multi-Flex" Trolley for Understructure & Accessories		40
RS0AB	Cyber 2 Design		43
RX0AA	Simplicity Design		55
RV0AA	Infinity Design		59
RF0AA	Venice Design		61
RCCAA	Metallic Design		63
J16T5-AFAXX	Buffet Display Stand	867*474*864	69
J17SC-AFCXX	LED Display Stand	400*230*120	70
J18EA-AMDXX	Round Display Stand		70
JO7UA-AFASP	Elegant Display Stand		71
JO7UA-AFBSP	Buffet Risers / Food Stand		72
JO7UA-AFASP	Food Stands "NOUVO"		72
JO9T3-AFASP	Food Stand "ESCALIER"		72
	Mobile F&B Display	600*850*1940	73
JO7S5-AFASP	Display Cabinet	1400*600*2000	75
JO9SA-AFAXX	Mobile Display Racks		75
JO8Q1	Magic Cube	425*425*425	76
JO8FX	Hexagon Display Towers		76
OC51B	Transport & Storage Trolley For "Flexi" Buffet Tables	1900*840*1550	77
	Buffet Tables - "Flexi" Design		78
TBJL5	Buffet Tables - Euro Style with LED Top		79
TBJO5	Buffet Tables - Euro Style with LED Top		79
TBTL5-T8AXX	Buffet Tables - V-Tray Design	1900*700*900	80
TBTM5-T8AXX	Buffet Tables - V-Tray Design	1660*700*800	80
TBTS5-T8AXX	Buffet Tables - V-Tray Design	1420*700*700	80
TBTL1	Buffet Tables - Euro Style With Glass Top		80
TBJO5	Buffet Tables - "Roma"		81
	Buffet Tables - Waterfall System		81
TBTL5-T0BXX	Buffet Tables - Nesting	1850*600*950	82
TBTMS-T0BXX	Buffet Tables - Nesting	1650*600*850	82
TBTSS-T0BXX	Buffet Tables - Nesting	700*600*750	82
	Cocktail Table "Flexi"		83
TCGM1	Cocktail Table "Fancy"		83
TCGM2	Cocktail Table "Classic"	D800*H1100	84
TCEL2T2C	Cocktail Table "Deluxe" - LED Top	D750*H1100	84
TCEL2T8	Cocktail Table "Deluxe" - Glass Top	D750*H1100	84
TCGM3-TX2CX	Cocktail Table Removable Tops & Folding Structure	"D800*1100"	85
TCGM4-TX2CX	Cocktail Table Removable Tops & Folding Structure		85
TCGM6-TXAHX	Cocktail Table - Pullout Trays - Hexagon		86
TCGM5-TXAHX	Cocktail Table - Pullout Trays - Round	D650*H1027	86
TRS52TSD	Socializer - Adjustable Height	910 x 740-1040	87/88
TRS52USD	Socializer - Fixed Height (High)	910 x 1040	87/88
TRS52DSD	Socializer - Fixed Height (Low)	910 x 690	87/88
GO2AA-IOMO1	Coffee Break Cabinet	1290*690*1960	89
GO2AA-IOMO2	Coffee Break Cabinet		89
GO2AA-IOMO3	Coffee Break Cabinet - High		90
GO2AA-IOMO4	Coffee Break Cabinet - Low		90
GO2AA-IOMO5	Coffee Break Cabinet - With Slide-in Doors		91
G02AA-I1RXX	Coffee Break Cabinet - With Slide-in Doors	1200*750*2050H	92
G02AA-I1MXX	Coffee Break Cabinet - With Slide-in Doors	1200*750*2050H	92
G02AA-I1LXX	Coffee Break Cabinet - With Slide-in Doors	1200*750*2050H	92

INDEX

Code #	Product Name	Dimension (mm)	Page No.
CONFERENCE & BANQUET SOLUTIONS			93
1418-016-xx	2 Step Standard (raises 200mm)	980 x 595 x 485 (410/610)	94
1418-018-xx	3 Step Standard (raises 150mm)	980 x 840 x 520 (460/610)	94
1418-024-xx	3 Step Standard (raises 200mm)	980 x 810 x 679 (610/810)	94
1812-624	Dual Height Stage	2440 x 1830 (H410/610)	95
1812-632	Dual Height Stage	2440 x 1830 (H610/810)	95
1812-640	Dual Height Stage	2440 x 1830 (H810/1020)	95
1812-424	Dual Height Stage	2440 x 1220 (H410/610)	95
1812-432	Dual Height Stage	2440 x 1220 (H610/810)	95
1812-440	Dual Height Stage	2440 x 1220 (H810/1020)	95
SAS11Bxx	2 Step w/ Caster & Rails	1110 x 828 x 1555 (410/610)	96
SAS11Dxx	3 Step w/ Caster & Rails (raises 200mm)	1110 x 835 x 1660 (610/810)	96
SAS11Cxx	3 Step w/ Caster & Rails (raises 150mm)	1110 x 1092 x 1610 (460/610)	96
S3H316Exx41B	Tri-height Mobile Folding Stage	2440 x 1830 (H460/610/760)	97/98
S3H314Exx41B	Tri-height Mobile Folding Stage	2440 x 1220 (H460/610/760)	97/98
2610-324B	Choral Riser - 3 Step / Alu Deck Frame	1410 x 1840 x 1740	99
2610-432B	Choral Riser - 4 Step / Alu Deck Frame	1840 x 1980 x 1940	99
#5090-201	Dance Floor Camlock, Natural Oak	914 x 914	100
#5094-101	Trim Male, Straight	922 x 150	100
#5094-102	Trim Female, Straight	922 x 130	100
#5094-103	Trim Male, RH Corner	1042 x 150	100
#5094-104	Trim Male, LH Corner	1042 x 150	100
#5094-105	Trim Female, RH Corner	1042 x 130	100
#5094-106	Trim Female, LH Corner	1042 x 130	100
1314-101B	Caddy for Cam-Lock Panels	1378 x 750 x 1025	100
7M11831xxA	Conf-Semi App Table	1830 x 460 x 760	101/102
7M31831xxA	Conf-Semi App Table	1830 x 600 x 760	101/102
7M21831xxA	Conf-Semi App Table	1830 x 760 x 760	101/102
7S211831xx	Seminar Table	1830 x 450 x 760	103/104
7S231831xx	Seminar Table	1830 x 600 x 760	103/104
7S221831xx	Seminar Table	1830 x 760 x 760	103/104
CH266239B	Modesty Panel for Seminar Table (perforated)	1500 x 260	104
7C3J1831xx	Mobile Conference Table / Front Panel	1830 x 490 x 760	105/106
7C3S1831xx	Mobile Conference Table / Front Panel	1830 x 600 x 760	105/106
7CDS1831xx	Mobile Conference Table with Socket / Front Panel	1830 x 600 x 760	106
	Folding Leg Table - Info		107/108
	Folding Leg Table - Top Options		109
OC11B	Table Trolley - for Rectangular Tables	1960 x 760 x 960	110
OC21B	Table Trolley - for Round Tables	2060 x 853 x 1285	110
OC22B	Table Trolley - for Round Tables	2130 x 886 x 1038	110
	Folding Leg Table - Shapes & Sizes		111/112
TTC32XXX02BS	Folding Tables With Stools	3080 x 1505 x H690/760	113/114
C12BA	Banquet Chair	600 x 434 x 945	115
C10BI	Banquet Chair	610 x 460 x 865	115
C27BA/C28BA	Banquet Chair	568 x 450 x 870	116
C23BA	Banquet Chair	490 x 480 x 810	116
C11BD	Banquet Chair	630 x 360 x 942	117
C07BH	Banquet Chair	613 x 440 x 930	118
C09BX	Banquet Chair	"595 x 450 x 970"	119
C14BA	Banquet Chair	"595 x 450 x 960"	119
C21BX	Banquet Chair	510 x 500 x 870	120
C31BE	Banquet Chair	500 x 440 x 850	120
C01AB	Banquet Chair - Flexi Back	570 x 420 x 920	121
C02AB	Banquet Chair - Flexi Back	570 x 420 x 930	121

INDEX

Code #	Product Name	Dimension (mm)	Page No.
C03AB	Banquet Chair - Flexi Back	570 x 420 x 930	122
C04AB	Banquet Chair - Flexi Back	570 x 420 x 920	122
C06CC	Banquet Chair - Flexi Back with Armrests	610 x 618 x 920	123
C06DC	Banquet Chair - Fixed Back with Armrests	610 x 618 x 920	123
C02CB	Banquet Chair - with Armrests	570 x 607 x 930	123
C06AC	Banquet Chair - Flexi Back	610 x 440 x 920	124
C06BC	Banquet Chair - Fixed Back	610 x 440 x 920	124
C24BX	Banquet Chair	610 x 440 x 925	124
C30AB-A	Banquet Chair	570 x 420 x 930	125
C30AB-B	Banquet Chair	570 x 420 x 930	125
PACF4-HADXX	Partition (foldable)		126
PACF3-HACXX	Partition (fixed with movable panels)		126
	Insta - Wall INFO		127
IA0AA	Insta - Wall (Three Panels) Red	1830 x 2640 x 19	127/128
IA0BA	Insta - Wall (Five Panels) Red	1830 x 4770 x 19	127/128
IA0CA	Insta - Wall (Seven Panels) Red	1830 x 5920 x 19	127/128
	Insta - Wall with Designer Panels		127/128
PF0EA	Podium - Fixed height no touch screen	630 x 550 x 1230	129
PF0EC	Podium - Fixed height with touch screen	630 x 550 x 1230	129
PF0EB	Podium - Adjustable height no touch screen	630 x 550 x 1110-1310	129
PF0ED	Podium - Adjustable height with touch Screen	630 x 550 x 1110-1310	129
PG0EA	Podium - Fixed height no touch screen	598 x 444 x 1160	130
PG0EC	Podium - Fixed height with touch screen	598 x 444 x 1160	130
PG0EB	Podium - Adjustable height no touch screen	598 x 444 x 1107-1307	130
PG0ED	Podium - Adjustable height with touch Screen	598 x 444 x 1107-1307	130
PI0AA	Podium - Wooden		131
PH0AA	Podium - Aluminum (Fixed height)		132
PA0AA	Podium - Wooden (Fixed height)	570 x 560 x 1210	133
PB0AA	Podium - Wooden (Fixed height)	700 x 500 x 1220	133
F&B DELIVERY			134
TRT32FSC4502BS	Room Service Table Oval (Tri-fold)(RT)	920 x 1070 x 740	135/136
TRB32FSC4502BS	Room Service Table Oval (Bi-fold)(RT)	920 x 1070 x 740	135/136
TRT32FSE4502BS	Room Service Table Square (Tri-fold)(RT)	920 x 920 x 740	135/136
TRB32FSE4502BS	Room Service Table Square (Bi-fold)(RT)	920 x 920 x 740	135/136
TRT77FSCxx02SG	Room Service Table Oval (Tri-fold)(OT)	920 x 1070 x 740	135/136
TRB77FSCxx02SG	Room Service Table Oval (Bi-fold)(OT)	920 x 1070 x 740	135/136
TRT77FSExx02SG	Room Service Table Square (Tri-fold)(OT)	920 x 920 x 740	135/136
TRB77FSExx02SG	Room Service Table Square (Bi-fold)(OT)	920 x 920 x 740	135/136
FN-250	Room Service Table Guide		137
3918-600-AN	Food Warmer S/S	385 x 390 x 485	137
3918-600-BLN	Food Warmer Black	385 x 390 x 485	137
3918-600-ANT	Food Warmer S/S (with Temperature Gauge)	385 x 390 x 485	138
3918-600-BLNT	Food Warmer Black (with Temperature Gauge)	385 x 390 x 485	138
3909-200-SS	FW Box Caddy S/S	1020 x 520 x 1630/2010	138
3909-200B	FW Box Caddy S/S Black Epoxy finish	1020 x 520 x 1630/2010	138
FA0AA	Trolley - Three Tier Multi-Purpose	995 x 530 x 825	139
FA0AE	Trolley - Carving with Heating Lamp	995 x 530 x 825	139
FA0AH	Trolley - Cooking "A" (Induction)	995 x 530 x 825	140
FA0AM	Trolley - Cooking "B" (Gas)	995 x 530 x 825	140
FA0AC	Trolley - Dim Sum (Steam Hot Holding)	995 x 530 x 825	140
FA0AI	Trolley - Chinese Tea	995 x 530 x 825	141
FA0AP	Trolley - F&B Display		141
FA0AO	Trolley - Beverage / Wine	995x530x825	142
FA0AQ	Trolley - Dessert or Cheese		142
FB0AA	Trolley - Three Tier Multi-function (Wooden)	1210 x 397 x 790	143
FF0AA	Trolley - Three Tier Multi-function (Wooden)	1120 x 397 x 790	143
BS1AX	Service Bar with Sink	1820 x 733 x 1225	144

INDEX

Code #	Product Name	Dimension (mm)	Page No.
CH262046	Bottle Holder for Service Bar BS1AX	800 x 105 x 300	144
BS0AX-B31	Service Bar - Plain Working Top S/S	1860 x 860 x 1200	144
BS0AX-B32	Service Bar - with Ice Cube Compartment	1860 x 860 x 1200	144
BS0AX-B33	Service Bar - with Sink & Drainage	1860 x 860 x 1200	144
BS0AX-B34	Service Bar - with Ice Cube Compartment & Sink	1860 x 860 x 1200	144
CH263128	Bottle Holder for Service Bar BS0AX	420 x 105 x 350	144
FD01J	Trolley - Flambe (One Induction Cooking Plate)	1356 x 564 x 1074	145
FD0AK	Trolley - Flambe (Double Gas Burner)	1356 x 564 x 1074	145
FC0AJ	Trolley - Cooking (Induction)	1508 x 560 x 950	146
FC0AK	Trolley - Cooking (Gas)	1508 x 560 x 950	146
FF0AE	Buffet Trolley - Carving	1600 x 650 x 850	147
FE0AA	Plate Warmer - Double Column	1136 x 579 x 1064	148
FE0EA	Plate Warmer - Single Column	736 x 579 x 1064	148
RF0IL-W0101	Plate Warmer - Round Plate Warmer "Venice" Design	Φ750 x 1030	148
OB10I	GN Food Pan Rack Trolleys 1/1 8		149
OB10I	GN Food Pan Rack Trolleys 2/1 8		149
OB20I	GN Food Pan Rack Trolleys 1/1 8+8		150
OB10I	GN Food Pan Rack Trolleys 1/1 16		150
OB10I	GN Food Pan Rack Trolleys 2/1 18		150
OB21A	Service Tray Stand - S/S with Shelf (Foldable)	485 x 480 x 805	151
OB31B	Service Tray Stand - S/S Paint Finish	478 x 375 x 830	151
OB31A	Service Tray Stand - S/S Foldable	478 x 375 x 830	151
SERVICING THE HOUSEKEEPING & TRANSPORTATION IN THE LOBBY 152			
VPL128-PB	Luggage Cart - Crown Deluxe Polished Brass	1182 x 602 x 1890	153
VPL128-PS	Luggage Cart - Crown Deluxe Polished S/S	1182 x 602 x 1890	154
VPL126-PS	Luggage Cart - Crown Deluxe Polished S/S	1182 x 602 x 1920	155
VPL126-PB	Luggage Cart - Crown Deluxe Polished Brass	1182 x 602 x 1920	156
VPL121-PB	Luggage Cart - Polished Brass	1182 x 602 x 1790	157
VPL121-PS	Luggage Cart - Polished S/S	1182 x 602 x 1790	158
VPL124-PS	Luggage Cart - Polished S/S	1182 x 602 x 1770	158
VPL125-PS	Luggage Cart - Polished S/S	1182 x 602 x 1950	158
VPL127-PS	Luggage Cart - Polished S/S	1182 x 602 x 1800	158
VPL122	Luggage Cart - Team - Polished Brass	1182 x 602 x 940	159
VPL123	Luggage Cart - Two Wheeler - Polished Brass	1025 x 630 x 1150	159
	Luggage Cart Options		160
HA1AA	Housekeeping Cart (Senior) - Standard	1620 x 570 x 1340	161
HA1AE	Housekeeping Cart (Senior) - with LED Rim	1620 x 570 x 1340	161
CH260954	Top Tray Cabinet - for HA1AA / AE	790 x 430 x 330	161
CH261135	Doors for HA1AA / AE (lockable)	840 x 895 x 40	161
HA1DA	Housekeeping Cart (Junior) - Standard	1460 x 570 x 1265	162
HA1DE	Housekeeping Cart (Junior) - with LED Rim	1460 x 570 x 1265	162
CH260955	Top Tray Cabinet - for HA1DA / DE	630 x 430 x 330	162
CH261136	Doors for HA1DA / DE (lockable)	680 x 895 x 40	162
HC1AB	Beverage Refill Cart Deluxe	1235 x 610 x 1305	163
CH261133	Top Tray Cabinet - for HC1AB	980 x 470 x 320	163
CH261134	Doors for HC1AB (lockable)	920 x 1030 x 40	163
BM1211PD	Mobile Sleeper - Deluxe	1970 x 1010 x 587	165
BM1211P	Mobile Sleeper - Standard	1970 x 1010 x 530	166
OB41A	Luggage Rack (polished Stainless Steel)	695 x 475 x 750	166
OB51A	Luggage Rack (polished Stainless Steel)	695 x 455 x 600	166
HD0AA	Linen Trolley	750 x 550 x 680	167
HE0AA	Linen Storage Trolley	1350 x 750 x 1780	168
HE0AB	Linen Storage Trolley - with Lockable Doors	1350 x 750 x 1780	168

ISL
INFINITE SPACE